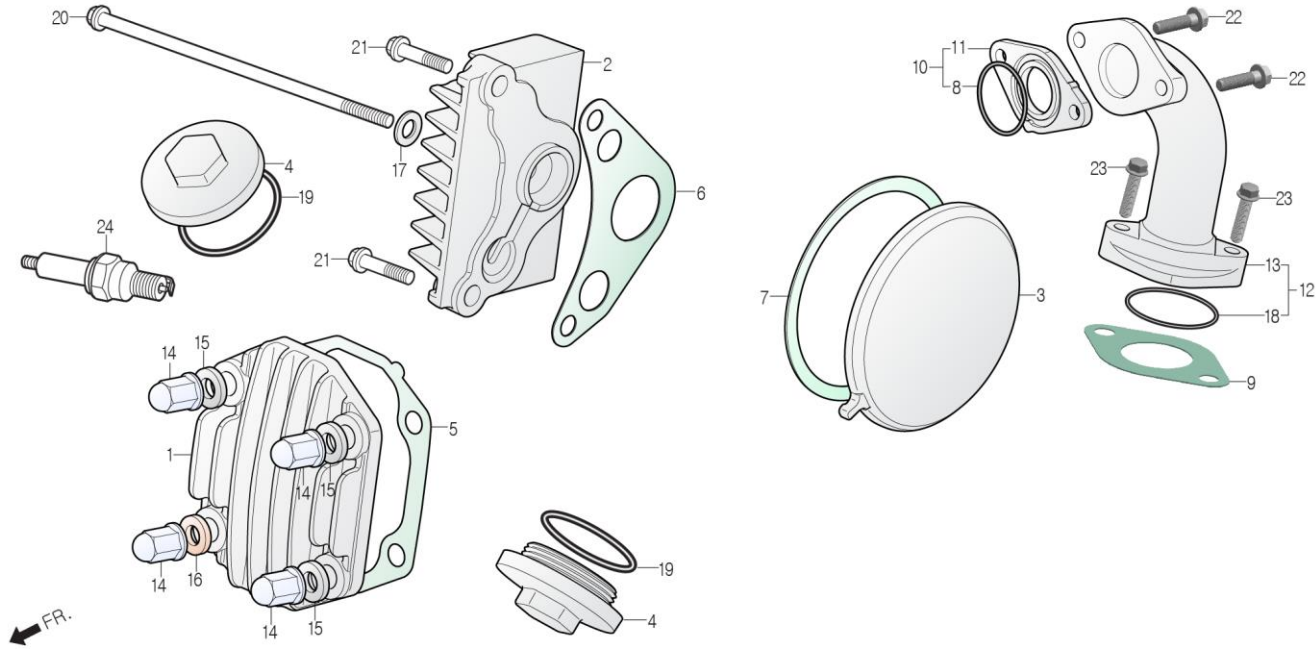


E-01

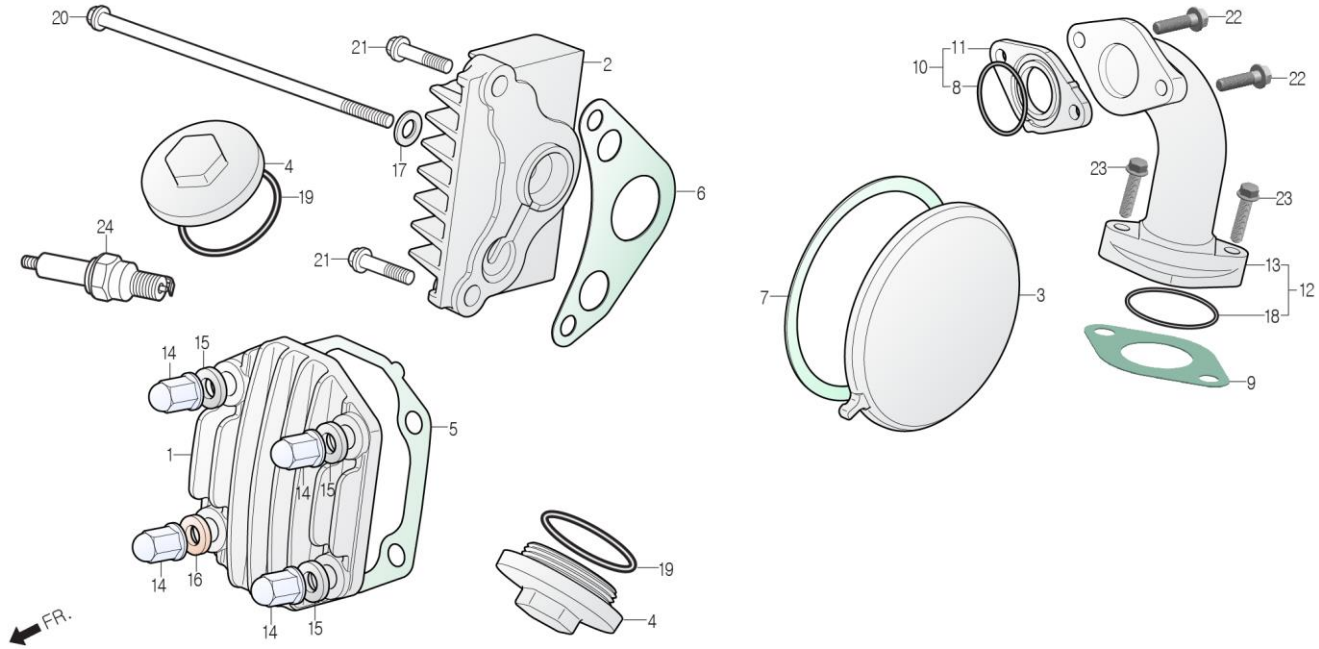
CYLINDER HEAD COVER / INLET PIPE



Service item	FRT	Ref No.	Part No.	Description	QTY	A/S	Exch	Start Date	End Date	Start FRM.No	End FRM.No
COVER, CYLINDER HEAD	0.1	1	12301-CB2-9100	COVER, CYLINDER HEAD	1	N	Y	20030320	20121029	KMYCB4BLS3C000001	KMYCB4BLSDC004800
			12301-CB4-0000	COVER, CYLINDER HEAD	1	Y		20121030		KMYCB4BLSDC004801	
COVER, RH.CYLINDER HEAD SIDE	0.3	2	12331-CB2-9100	COVER, R.CYLINDER HEAD SIDE	1	N	Y	20030320	20140107	KMYCB4BLS3C000001	KMYCB4BLSEC004980
			12331-CB2-9100-M1	COVER, R.CYLINDER HEAD SIDE	1	Y		20140108		KMYCB4BLSEC004981	
COVER, LH.CYLINDER HEAD SIDE	0.3	3	12341-CB4-0000	COVER, LH.CYLINDER HEAD SIDE	1	Y		20030320		KMYCB4BLS3C000001	
PIPE, INLET	0.4	4	12361-CB2-0000	CAP, TAPPET ADJUSTING HOLE	2	Y		20030320		KMYCB4BLS3C000001	
		5	12391-CB4-RH00	GASKET, CYLINDER HEAD COVER	1	Y		20030320		KMYCB4BLS3C000001	
INSULATOR, CARBURETOR	0.4	6	12394-CB4-RH00	GASKET, RH.CYLN.HEAD SIDE COVER	1	Y		20030320		KMYCB4BLS3C000001	
		7	12395-CB4-RH00	GASKET, LH.CYLN.HEAD SIDE COVER	1	Y		20030320		KMYCB4BLS3C000001	
		8	16115-CB2-2000	O-RING(24250)	1	Y		20070719		KMYCB4BLS8C003274	
		9	16201-CB4-RH00	GASKET, CARBURETOR INSULATOR	1	Y		20030320		KMYCB4BLS3C000001	
		10	16211-CB2-7500	CARBURETOR INSULATOR	1	N		20070719		KMYCB4BLS8C003274	
		11	17110-CB4-0000	PIPE ASS'Y, INLET	1	Y	N	20030320	20050323	KMYCB4BLS3C000001	KMYCB4BLS5C002023
			1711A-CB4-RZ00	PIPE ASS'Y, INLET	1	Y	N	20050324	20060424	KMYCB4BLS5C002024	KMYCB4BLS6C002516
			1711A-CB4-RZ10	PIPE ASS'Y, INLET	1	Y		20060425		KMYCB4BLS6C002517	
		12	17111-CB4-0000	PIPE, INLET	1	N	N	20030320	20050323	KMYCB4BLS3C000001	KMYCB4BLS5C002023
			17110-CB4-RZ00	PIPE COMP., INLET	1	N	N	20050324	20060424	KMYCB4BLS5C002024	KMYCB4BLS6C002516
	17110-CB4-RZ10	PIPE COMP., INLET	1	N		20060425		KMYCB4BLS6C002517			
13	17119-CB2-9310	GASKET, INLET PIPE	1	N	Y	20030320	20070718	KMYCB4BLS3C000001	KMYCB4BLS8C003273		
13-1	1621A-CB4-0000	INSULATOR ASS'Y, CARBURETOR	1	Y		20070719		KMYCB4BLS8C003274			
14	90201-CB2-0100	NUT, CAP, 7mm(EURO1)	4	N	Y	20030320	20050323	KMYCB4BLS3C000001	KMYCB4BLS5C002023		
	90201-CB4-0000	NUT, CAP, 7mm	4	Y		20050324		KMYCB4BLS5C002024			

E-01

CYLINDER HEAD COVER / INLET PIPE



Service item	FRT	Ref No.	Part No.	Description	QTY	A/S	Exch	Start Date	End Date	Start FRM.No	End FRM.No
		15	90442-CB2-0100	WASHER, SEALING, 7mm	3	Y		20030320		KMYCB4BLS3C000001	
		16	90443-CB2-0100	WASHER A, SEALING, 7mm	1	Y		20030320		KMYCB4BLS3C000001	
		17	90461-BA6-1000	WASHER, SEALING, 12mm	1	Y		20030320		KMYCB4BLS3C000001	
		18	91301-CB2-2000	O-RING, 27x2.0	1	Y		20030320		KMYCB4BLS3C000001	
		19	91302-CB2-0200	O-RING, 30.8mm	2	Y		20030320		KMYCB4BLS3C000001	
		20	S5701-06110-00	BOLT, FLANGE, 6x110	1	N	Y	20030320	20040323	KMYCB4BLS3C000001	KMYCB4BLS4C001446
			S5701-06110-08	BOLT, FLANGE, 6x110	1	N	Y	20040324	20100430	KMYCB4BLS4C001447	KMYCB4BLSAC003718
			S5701-06110-00	BOLT, FLANGE, 6x110	1	Y		20100501		KMYCB4BLSAC003719	
		21	S6001-06020-00	BOLT, FLANGE, SH.6x20	4	N	Y	20030320	20070718	KMYCB4BLS3C000001	KMYCB4BLS8C003273
			S6001-06020-00	BOLT, FLANGE, SH.6x20	2	Y		20070719		KMYCB4BLS8C003274	
		21-1	S6001-06022-00	BOLT, FLANGE, SH.6x22	2	Y		20070719		KMYCB4BLS8C003274	
		22	S6001-06025-00	BOLT, FLANGE, SH.6x25	1	N	Y	20030320	20050323	KMYCB4BLS3C000001	KMYCB4BLS5C002023
			S6001-06025-07	BOLT, FLANGE, SH.6x25	1	Y		20050324		KMYCB4BLS5C002024	
		22-1	90086-SE5-5000-EU	SPECIAL BOLT, INLET PIPE	1	Y		20030320		KMYCB4BLS3C000001	
		23	S8056-57716-00	PLUG, SPARK(CR7HSA)	1	N	Y	20030320	20030608	KMYCB4BLS3C000001	KMYCB4BLS3C000652
			S8056-57726-00	PLUG, SPARK(CR7HSA)	1	Y		20030609		KMYCB4BLS3C000653	