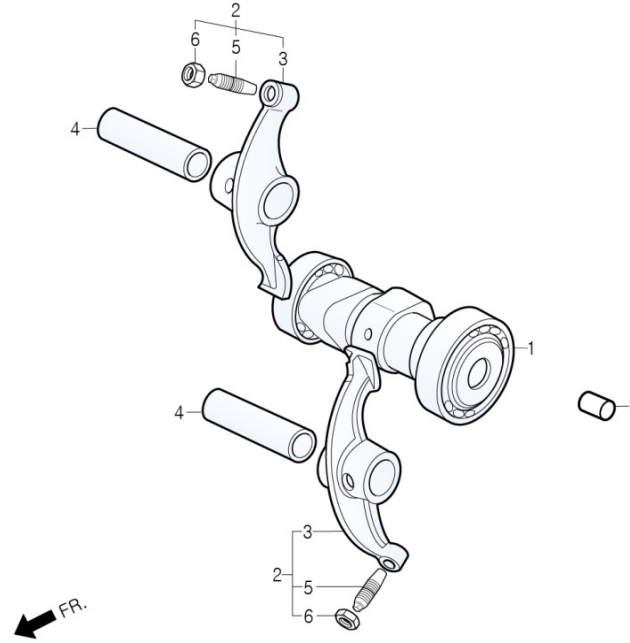


# E-03

## CAM SHAFT



Service item	FRT	Ref No.	Part No.	Description	QTY	A/S	Exch	Start Date	End Date	Start FRM.No	End FRM.No
SHAFT COMP., CAM	1.0	1	14100-CB3-7600	SHAFT COMP., CAM	1	N	Y	20030320	20060719	KMYCB4BLS3C000001	KMYCB4BLS7C002627
			14100-CB3-7610	SHAFT COMP., CAM	1	N	Y	20060720	20110116	KMYCB4BLS7C002628	KMYCB4BLSBC003933
ARM, VALVE ROCKER (ONE OR ALL)	1.1		14100-CB3-7620	SHAFT COMP., CAM	1	N	Y	20110117	20150430	KMYCB4BLSBC003934	KMYCB4BLSFC005177
			14100-CB3-7600-M1	SHAFT COMP., CAM	1	Y		20150501		KMYCB4BLSFC005178	
		2	1443A-CB2-6700	ARM ASS'Y, VALVE ROCKER	2	N	Y	20030320	20121029	KMYCB4BLS3C000001	KMYCB4BLSDC004800
			1443A-CB4-0000-W1	ARM ASS'Y, VALVE ROCKER	2	Y		20121030		KMYCB4BLSDC004801	
		3	14431-CB2-0200	ARM, VALVE ROCKER	2	N	Y	20030320	20121029	KMYCB4BLS3C000001	KMYCB4BLSDC004800
			14431-CB4-0000-W1	ARM, VALVE ROCKER	2	N		20121030		KMYCB4BLSDC004801	
		4	14451-CB2-0000	SHAFT, VALVE ROCKER ARM	2	Y		20030320		KMYCB4BLS3C000001	
		5	90012-CB2-0000	SCREW, TAPPET ADJUSTING	2	N	Y	20030320	20121029	KMYCB4BLS3C000001	KMYCB4BLSDC004800
			90012-CB4-0000-W1	SCREW, TAPPET ADJUSTING	2	N		20121030		KMYCB4BLSDC004801	
		6	90206-CB2-0000	NUT, TAPPET ADJUSTING	2	N	Y	20030320	20121029	KMYCB4BLS3C000001	KMYCB4BLSDC004800
			90206-CB4-0000-W1	NUT, TAPPET ADJUSTING	2	N		20121030		KMYCB4BLSDC004801	
		7	90702-CB2-9100	PIN, DOWEL, 8x12	1	Y		20030320		KMYCB4BLS3C000001	