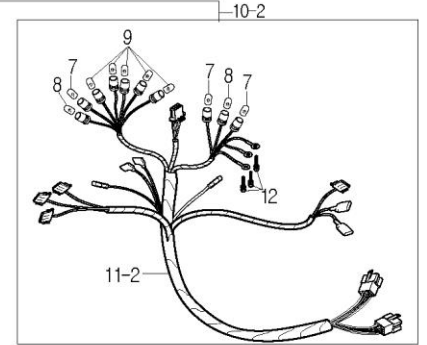
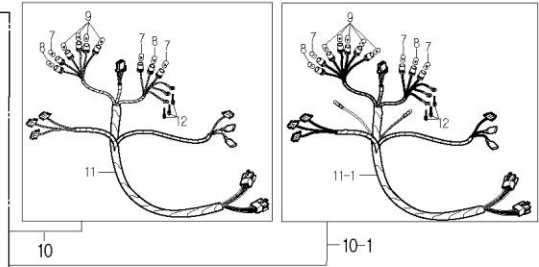
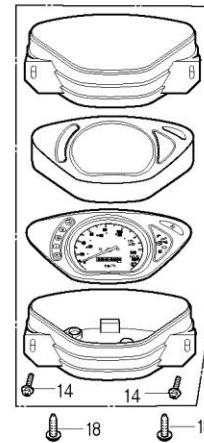
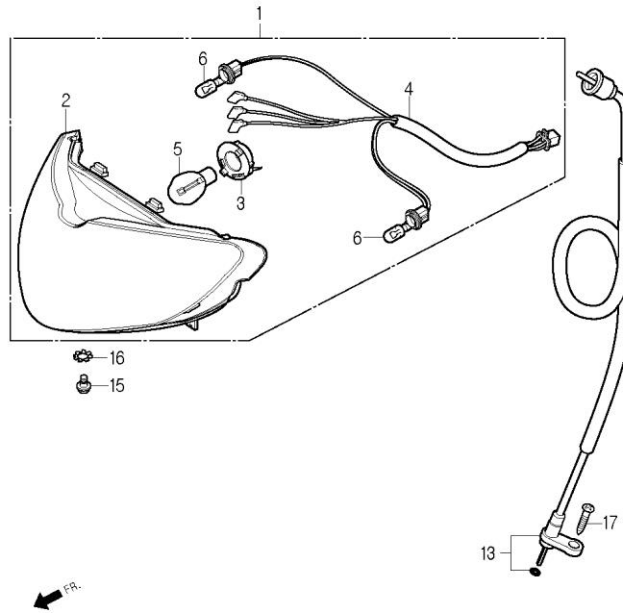


# F-01

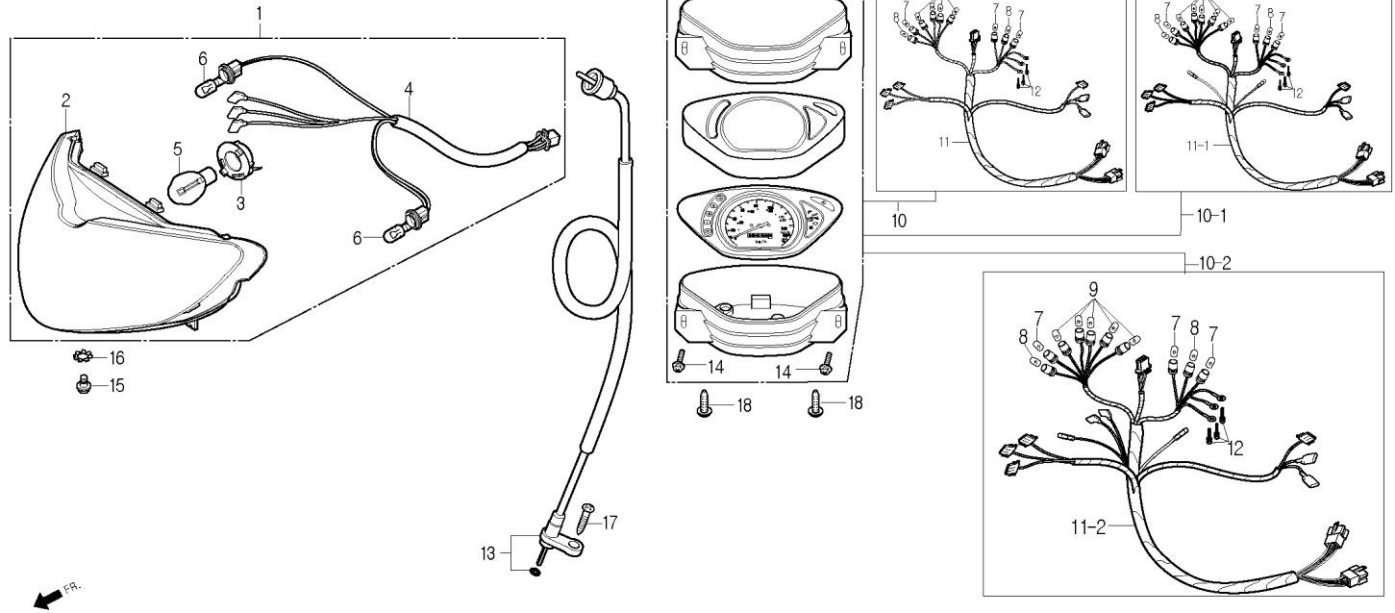
## HEADLIGHT / SPEEDOMETER



Service item	FRT	Ref No.	Part No.	Description	QTY	A/S	Exch	Start Date	End Date	Start FRM.No	End FRM.No
HEADLIGHT ASS'Y	0.4	1	33100-CB4-RH00	HEADLIGHT ASS'Y	1	Y		20030320		KMYCB4BLS3C000001	
.SOCKET ASS'Y, HEADLIGHT	0.2	2	33101-CB4-0000	UNIT, HEAD LIGHT	1	N		20030320		KMYCB4BLS3C000001	
.BULB, HEADLIGHT	0.2	3	33120-SE1-0030	HOLDER, BULB	1	N	N	20030320	20040901	KMYCB4BLS3C000001	KMYCB4BLS5C001988
			33120-SE4-0000	HOLDER, BULB(SANYE)	1	N		20040902		KMYCB4BLS5C001989	
UNIT, HEADLIGHT	0.4	4	33130-CB4-RH00	SOCKET COMP., HEADLIGHT	1	N		20030320		KMYCB4BLS3C000001	
(INCLUDE RELATIVE PARTS)		5	34901-SA1-RB00	BULB, HEADLIGHT(12V 35W/35W)	1	Y		20030320		KMYCB4BLS3C000001	
.BULB, WADGE BASE	0.2	6	34908-SE5-RB00	BULB, POSITION LAMP(12V 3W)	2	Y		20030320		KMYCB4BLS3C000001	
SPEEDOMETER ASS'Y	0.5	7	34908-SE5-7010-M1	BULB, WEDGE BASE (12V 3.4W)	3	Y		20030320		KMYCB4BLS3C000001	
		8	34908-BA6-6710-M1	BULB, WEDGE BASE T6.5	2	Y		20030320		KMYCB4BLS3C000001	
SPEEDOMETER COMP.	0.6	9	34908-BA6-9510-M1	BULB, WEDGE BASE T6.5	4	Y	Y	20030320	20051113	KMYCB4BLS3C000001	KMYCB4BLS6C002213
.SOCKET COMP.	0.8		34908-BA6-9510-M1	BULB, WEDGE BASE T6.5	5	Y		20051114		KMYCB4BLS6C002214	
		10	37100-CB4-RH00	METER ASS'Y, COMBINATION	1	Y	N	20030320	20040701	KMYCB4BLS3C000001	KMYCB4BLS5C001988
CABLE ASS'Y, SPEEDOMETER	0.2		37100-CB4-RH10	METER ASS'Y, COMBINATION	1	N	Y	20040702	20051113	KMYCB4BLS5C001989	KMYCB4BLS6C002213
		10-1	37100-CB4-RH20	METER ASS'Y, COMBINATION	1	Y	N	20051114	20081231	KMYCB4BLS6C002214	KMYCB4BLS9C003305
		10-2	37100-CB4-4000-AS	METER ASS'Y, COMBINATION	1	Y	N	20090101	20090818	KMYCB4BLS9C003306	KMYCB4BLSAC003444
			37100-CB4-4010-AS	METER ASS'Y, COMBINATION	1	Y	Y	20090819	20160119	KMYCB4BLSAC003445	KMYCB4BLSGC005321
			37100-CB4-RZ00	METER ASS'Y, COMBINATION	1	Y		20160120		KMYCB4BLSGC005322	
		11	37223-CB4-RH00	SOCKET COMP.	1	N	N	20030320	20040714	KMYCB4BLS3C000001	KMYCB4BLS5C001988
		11-1	37223-CB4-RH10	SOCKET COMP.	1	N	N	20040715	20051113	KMYCB4BLS5C001989	KMYCB4BLS6C002213
		11-2	37223-CB4-RH20	SOCKET COMP.	1	N	N	20051114	20090818	KMYCB4BLS6C002214	KMYCB4BLSAC003444
			37223-CB4-RH30	SOCKET COMP.	1	N	N	20090819	20160119	KMYCB4BLSAC003445	KMYCB4BLSGC005321
			37223-CB4-RZ00	SOCKET COMP.	1	N		20160120		KMYCB4BLSGC005322	

# F-01

## HEADLIGHT / SPEEDOMETER



Service item	FRT	Ref No.	Part No.	Description	QTY	A/S	Exch	Start Date	End Date	Start FRM.No	End FRM.No
		12	37305-BA6-0080	SCREW, WASHER, 3x22	3	N		20030320		KMYCB4BLS3C000001	
		13	44830-CB4-0000-M1	CABLE ASS'Y, SPEEDOMETER	1	Y		20030320		KMYCB4BLS3C000001	
		14	90035-BA6-0080	SCREW, SPECIAL WASHER	2	N		20030320		KMYCB4BLS3C000001	
		15	90101-SE5-0000	BOLT, ADJUST	1	N	Y	20030320	20030925	KMYCB4BLS3C000001	KMYCB4BLS4C000964
			90101-CB3-0000	BOLT, ADJUST	1	Y		20030926		KMYCB4BLS4C000965	
		16	90307-SE5-0000	WASHER, LOCK, 6mm	1	Y		20030320		KMYCB4BLS3C000001	
		17	S3700-05016-0A	SCREW, OVAL, 5x16	1	N	Y	20030320	20040830	KMYCB4BLS3C000001	KMYCB4BLS5C001988
			S3700-05016-0G	SCREW, OVAL, 5x16	1	Y		20040831		KMYCB4BLS5C001989	
		18	S3903-25310	SCREW, TAPPING, 5x16	2	Y		20100501		KMYCB4BLSAC003719	
			S3903-25320	SCREW, TAPPING, 5x16	2	N	Y	20030320	20100430	KMYCB4BLS3C000001	KMYCB4BLSAC003718