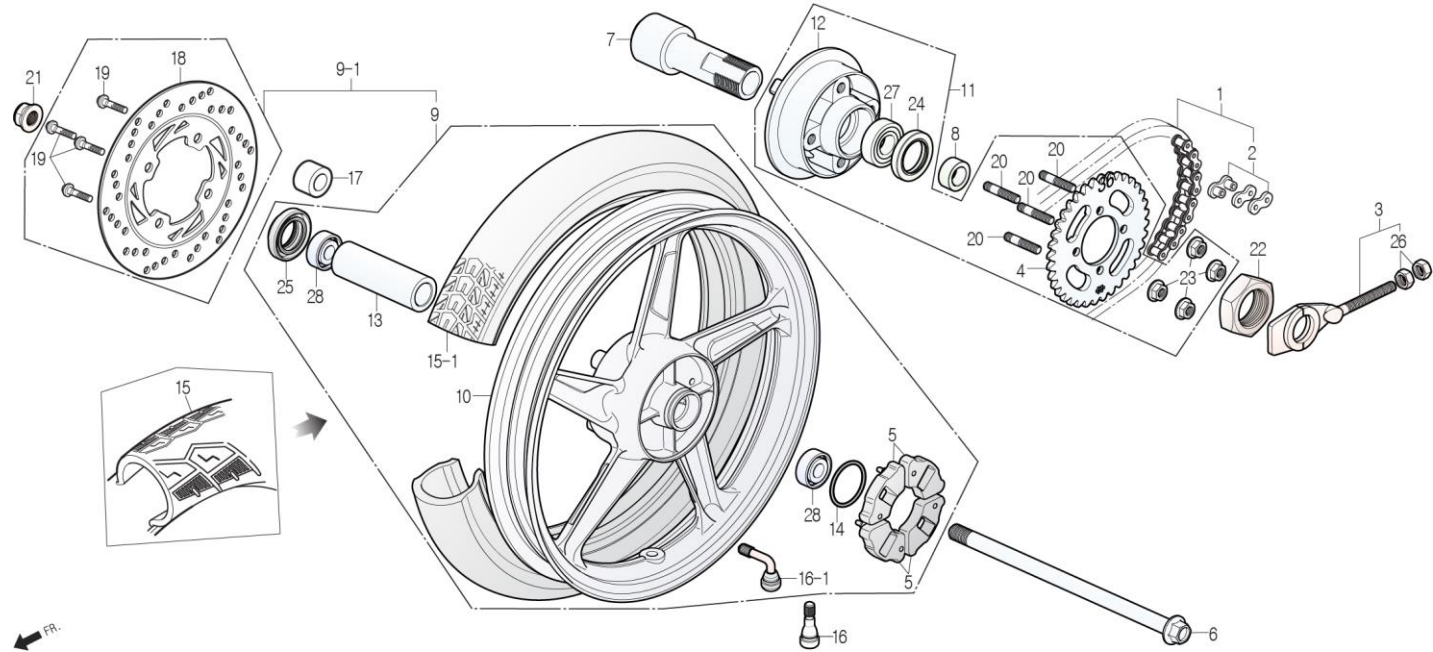


F-11

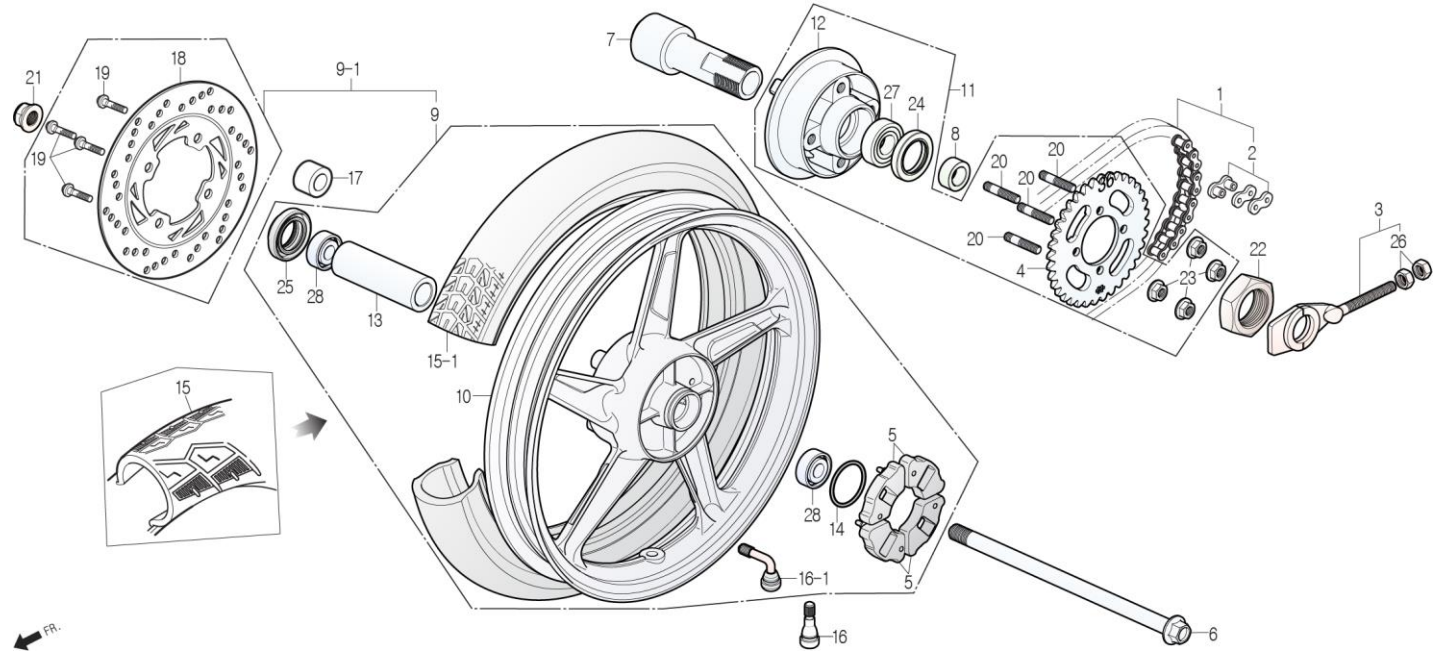
REAR WHEEL



Service item	FRT	Ref No.	Part No.	Description	QTY	A/S	Exch	Start Date	End Date	Start FRM.No	End FRM.No
AXLE, RR.WHEEL	0.2	1	40530-CB4-0000	CHAIN, DRIVE(428x102RJ)	1	N	Y	20030320	20080630	KMYCB4BLS3C000001	KMYCB4BLS9C003294
			40530-CB4-DH00	CHAIN, DRIVE(428Hx102RJ)	1	N	Y	20080701	20150831	KMYCB4BLS9C003295	KMYCB4BLSGC005217
CHAIN, DRIVE	0.5		40530-CB4-0000-M1	CHAIN, DRIVE(428Hx102L)	1	Y	Y	20150901	20151210	KMYCB4BLSGC005218	KMYCB4BLSGC005271
.DAMPER, RR.WHEEL (ONE OR ALL)	0.4		40530-CB4-DH00	CHAIN, DRIVE(428Hx102RJ)	1	N	Y	20151211	20171130	KMYCB4BLSGC005272	KMYCB4BLSJC005559
			40530-CB4-0000-M1	CHAIN, DRIVE(428Hx102L)	1	Y		20171201		KMYCB4BLSJC005560	
SPROCKET, FINEL DRIVEN .FLANGE, FINAL DRIVEN	0.6		2 40531-CB2-0130	JOINT, DRIVE CHAIN	1	N		20030320		KMYCB4BLS3C000001	
			3 4055A-CB4-0000	ADJUSTER ASS'Y, LH.CHAIN	1	Y		20030320		KMYCB4BLS3C000001	
.BEARING, RADIAL BALL 6203			4 41201-CB2-9010	SPROCKET, FINAL DRIVEN, 36T	1	N	Y	20030320	20040819	KMYCB4BLS3C000001	KMYCB4BLS5C001988
			5 41201-CB2-9000-M1	SPROCKET, FINAL 36T(LONCIN)	1	Y		20040820		KMYCB4BLS5C001989	
SLEEVE, RR.WHEEL .COLLAR, RR.AXLE DISTANCE	0.4 0.5		5 41241-CD1-7700	DAMPER, RR.WHEEL	4	Y		20030320		KMYCB4BLS3C000001	
			6 42301-CB4-0000	AXLE, RR.WHEEL	1	N	Y	20030320	20050714	KMYCB4BLS3C000001	KMYCB4BLS5C002153
.BEARING, RADIAL BALL 6301U (ONE OR ALL)			44301-BA7-9300	AXLE, FR.WHEEL	1	Y		20050715		KMYCB4BLS5C002154	
			7 42303-CB4-0000	SLEEVE, RR.WHEEL	1	Y		20030320		KMYCB4BLS3C000001	
RIM, RR.WHEEL	1.4		8 42304-CB3-0000	COLLAR, RR.WHEEL SIDE	1	Y		20030320		KMYCB4BLS3C000001	
			9 42600-CB4-0000	WHEEL ASS'Y, RR.	1	N		20030320	20071231	KMYCB4BLS3C000001	KMYCB4BLS8C003290
TIRE, RR.WHEEL	0.8		9-1 42600-CB4-3000	WHEEL ASS'Y, RR.(Disk brake type)	1	N		20070418		KMYCB4BLS7C003070	
			10 42601-CB4-0000	WHEEL COMP., RR.CASTING	1	Y		20030320	20071231	KMYCB4BLS3C000001	KMYCB4BLS8C003290
			42601-CB4-3000	WHEEL COMP., RR.CASTING(Disk brake type)	1	Y		20070418		KMYCB4BLS7C003070	
			11 42605-CB4-0000	FLANGE ASS'Y, FINAL DRIVEN	1	N	Y	20030320	20040819	KMYCB4BLS3C000001	KMYCB4BLS5C001988
			42605-CB4-0000-M1	FLANGE ASS'Y, FINAL DRIVEN 36T(LONCIN)	1	N	Y	20040820	20110131	KMYCB4BLS5C001989	KMYCB4BLSBC003933
			42605-CB4-RZ00-M1	FLANGE ASS'Y, FINAL DRIVEN	1	Y		20110201		KMYCB4BLSBC003934	
			12 42610-CB4-0000	FLANGE, FINAL DRIVEN	1	N	Y	20030320	20040819	KMYCB4BLS3C000001	KMYCB4BLS5C001988

F-11

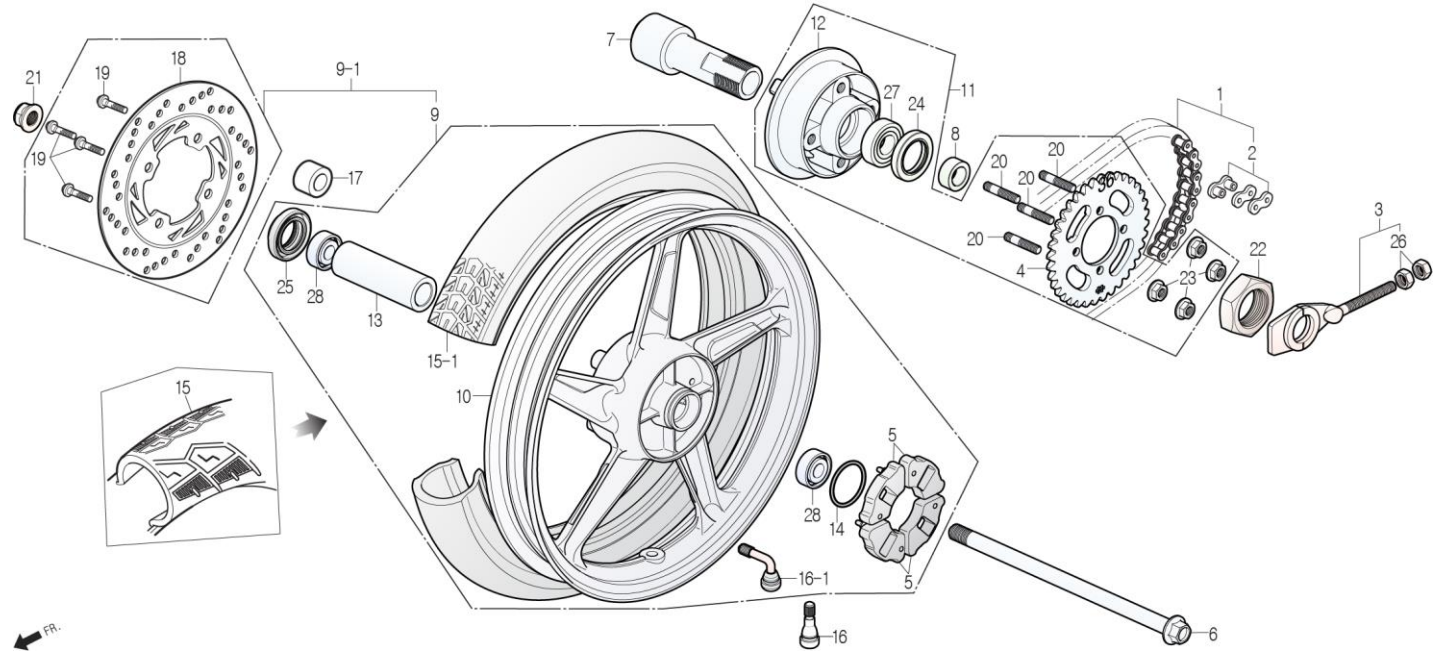
REAR WHEEL



Service item	FRT	Ref No.	Part No.	Description	QTY	A/S	Exch	Start Date	End Date	Start FRM.No	End FRM.No
			42610-CB4-0000-M1	FLANGE, FINAL DRIVEN(LONCIN)	1	N		20040820		KMYCB4BLS5C001989	
		13	42620-CB2-0100	COLLAR, RR.AXLE DISTANCE	1	Y		20030320	20071231	KMYCB4BLS3C000001	KMYCB4BLS8C003290
			42620-CB4-3000	COLLAR, RR.AXLE DISTANCE	1	Y		20070418		KMYCB4BLS7C003070	
		14	42653-CB2-0040	O-RING, 40.5x3	1	Y		20030320		KMYCB4BLS3C000001	
		15	42710-CB4-0000	TIRE ASS'Y, RR.	1	N	Y	20030320	20140331	KMYCB4BLS3C000001	KMYCB4BLSEC005028
		15-1	42711-CB4-0000-M2	TIRE, RR.(3.00-16 48P)	1	Y		20140401		KMYCB4BLSEC005029	
		16	42753-BA7-0000	VALVE, RIM, TR413	1	Y	Y	20030320	20160608	KMYCB4BLS3C000001	KMYCB4BLSHC005367
		16-1	42753-SEA-0000	VALVE, RIM, TR413	1	Y		20160609		KMYCB4BLSHC005368	
		17	44311-CB3-1000	COLLAR, FR.WHEEL SIDE(W)	1	Y		20060406		KMYCB4BLS6C002244	
		18	45351-CB4-3000	DISK, RR.BRAKE	1	Y		20070418		KMYCB4BLS7C003070	
		19	90106-BA5-0000	BOLT, FR.DISK, 8x24	4	Y		20070418		KMYCB4BLS7C003070	
		20	90128-CB3-1000	BOLT, STUD, 8x41	4	N	Y	20030320	20040819	KMYCB4BLS3C000001	KMYCB4BLS5C001988
			90128-CB3-1000-M1	BOLT, STUD, 8x41(LONCIN)	4	N		20040820		KMYCB4BLS5C001989	
		21	90306-BA7-0030	NUT, FLANGE, 12mm(W)	1	N	Y	20030320	20050714	KMYCB4BLS3C000001	KMYCB4BLS5C002153
			90306-CB3-0000	NUT, FLANGE, 12mm	1	Y		20050715		KMYCB4BLS5C002154	
		22	90307-CB3-0000	NUT, REAR AXLE SLEEVE	1	Y		20030320		KMYCB4BLS3C000001	
		23	90309-CD1-0000	NUT, FLANGE, 8mm	4	N	Y	20030320	20040819	KMYCB4BLS3C000001	KMYCB4BLS5C001988
			90309-CD1-0000-M1	NUT, FLANGE, 8mm(LONCIN)	4	N	Y	20040820	20080403	KMYCB4BLS5C001989	KMYCB4BLS8C003290
			90309-CD1-0000	NUT, FLANGE, 8mm	4	N		20080404		KMYCB4BLS8C003291	
		24	90753-CB2-0030	OIL SEAL 27x40x6	1	N	Y	20030320	20040819	KMYCB4BLS3C000001	KMYCB4BLS5C001988
			90753-CB2-0000-M1	OIL SEAL, 27x40x6(LONCIN)	1	N		20040820		KMYCB4BLS5C001989	
		25	91252-BA6-0030	SEAL, OIL, 23x37x7	1	Y		20060406		KMYCB4BLS6C002244	

F-11

REAR WHEEL



Service item	FRT	Ref No.	Part No.	Description	QTY	A/S	Exch	Start Date	End Date	Start FRM.No	End FRM.No
		26	S4001-06000-0S	NUT, HEX, 6mm	2	N	Y	20030320	20111023	KMYCB4BLS3C000001	KMYCB4BLS3C000001
			S4001-06080-0S	NUT, HEX, 6mm	2	N		20111024		KMYCB4BLS3C000001	KMYCB4BLS3C000001
		27	S6100-62030-00	BEARING, BALL RADIAL, 6203	1	Y	Y	20030320		KMYCB4BLS3C000001	KMYCB4BLS3C000001
			S6100-62030-10	BEARING, BALL RADIAL, 6203	1	N	Y	20040820	20110131	KMYCB4BLS5C001989	KMYCB4BLS5C001989
			S6150-62030-10	BEARING, RADIAL BALL, 6203UU	1	Y		20110201		KMYCB4BLS3C000001	KMYCB4BLS3C000001
		28	S6140-63010-10	BEARING, RADIAL BALL, 6301U	2	Y		20030320		KMYCB4BLS3C000001	KMYCB4BLS3C000001