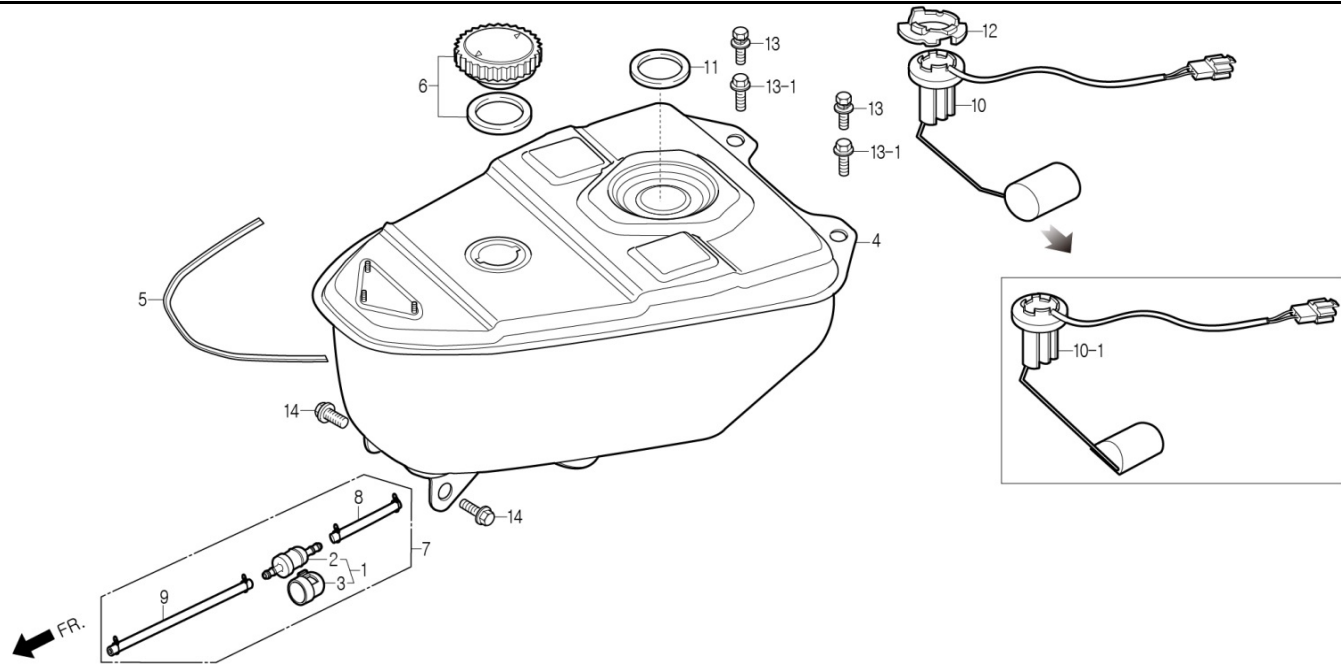


F-13

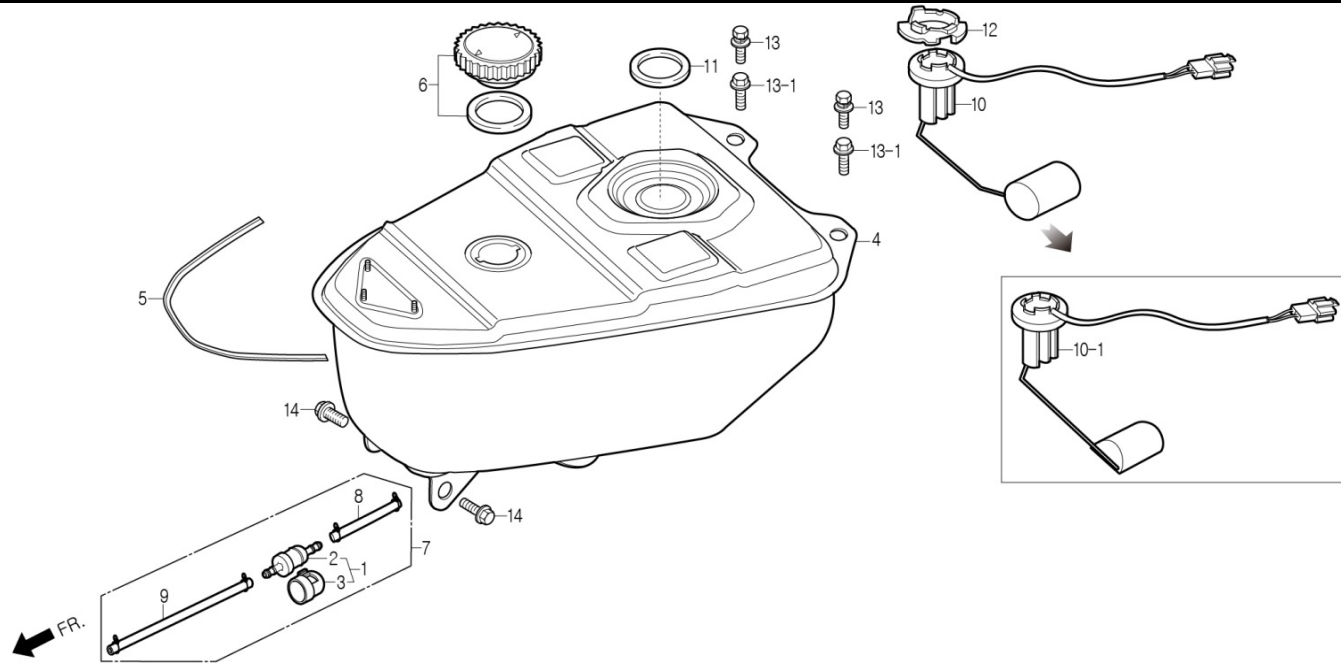
FUEL TANK



Service item	FRT	Ref No.	Part No.	Description	QTY	A/S	Exch	Start Date	End Date	Start FRM.No	End FRM.No
TANK COMP., FUEL	0.7	1	1691A-CB4-0000	STRAINER ASS'Y, FUEL	1	Y		20030320		KMYCB4BLS3C000001	
.FUEL UNIT	0.3	2	16910-CB2-9110-M1	STRAINER COMP., FUEL	1	N		20030320		KMYCB4BLS3C000001	
		3	16915-CB2-0000	SUSPENSION, STRAINER	1	N		20030320		KMYCB4BLS3C000001	
PACKING, BASE	0.1	4	17510-CB4-0000	TANK COMP., FUEL	1	N	Y	20030320	20100330	KMYCB4BLS3C000001	KMYCB4BLSAC003690
			17510-CB4-0010	TANK COMP., FUEL	1	N	Y	20100331	20170306	KMYCB4BLSAC003691	KMYCB4BLSHC005520
TUBE SET, FUEL	0.4		17510-CB4-0000-M1	TANK COMP., FUEL	1	Y		20170307		KMYCB4BLSHC005521	
		5	17515-CB4-0000	RUBBER, FUEL TANK	1	Y	Y	20030320	20140203	KMYCB4BLS3C000001	KMYCB4BLSEC005004
			17515-CB4-0000-M1	RUBBER, FUEL TANK	1	N	Y	20140204	20150325	KMYCB4BLSEC005005	KMYCB4BLSFC005177
			17515-CB4-0000	RUBBER, FUEL TANK	1	Y		20150326		KMYCB4BLSFC005178	
		6	17620-CB3-0100	CAP, FUEL FILLER	1	N	Y	20030320	20111114	KMYCB4BLS3C000001	KMYCB4BLS3C000001
			17620-CB3-0110-M2	CAP COMP., FUEL FILLER	1	Y		20111115		KMYCB4BLS3C000001	KMYCB4BLS3C000001
		7	1768A-CB4-0000	TUBE SET, FUEL	1	Y		20030320		KMYCB4BLS3C000001	
		8	17681-CB4-0000	TUBE, FUEL, 5.3x410	1	N		20030320		KMYCB4BLS3C000001	
		9	17682-CB4-0000	TUBE, FUEL, 5.3x77	1	N		20030320		KMYCB4BLS3C000001	
		10	37800-CB4-0000	FUEL UNIT	1	N	Y	20030320	20060213	KMYCB4BLS3C000001	KMYCB4BLS6C002227
		10-1	37800-CB4-0010	FUEL UNIT	1	N	Y	20060214	20080722	KMYCB4BLS6C002228	KMYCB4BLS9C003294
			37800-CB4-0000-M2	UNIT ASS'Y, FUEL	1	Y		20080723		KMYCB4BLS9C003295	
		11	37801-SE5-7000	PACKING, BASE	1	Y		20030320		KMYCB4BLS3C000001	
		12	37802-SE5-7000	RETAINER, FUEL UNIT	1	Y		20030320		KMYCB4BLS3C000001	
		13	S3411-06016-08	BOLT, WASHER, 6x16	2	N	Y	20030320	20050131	KMYCB4BLS3C000001	KMYCB4BLS5C002023
			S5701-06018-08	BOLT, FLANGE, 6x18	2	N	Y	20050201	20100430	KMYCB4BLS5C002024	KMYCB4BLSAC003718
			S5701-06018-00	BOLT, FLANGE, 6x18	2	Y		20100501		KMYCB4BLSAC003719	

F-13

FUEL TANK



Service item	FRT	Ref No.	Part No.	Description	QTY	A/S	Exch	Start Date	End Date	Start FRM.No	End FRM.No
		14	S5701-06016-08	BOLT, FLANGE, 6x16	2	N	Y	20030320	20090415	KMYCB4BLS3C000001	KMYCB4BLS9C003332
			90091-CB4-0000	BOLT, FLANGE, 6x16(Coating)	2	Y		20090416		KMYCB4BLS9C003333	