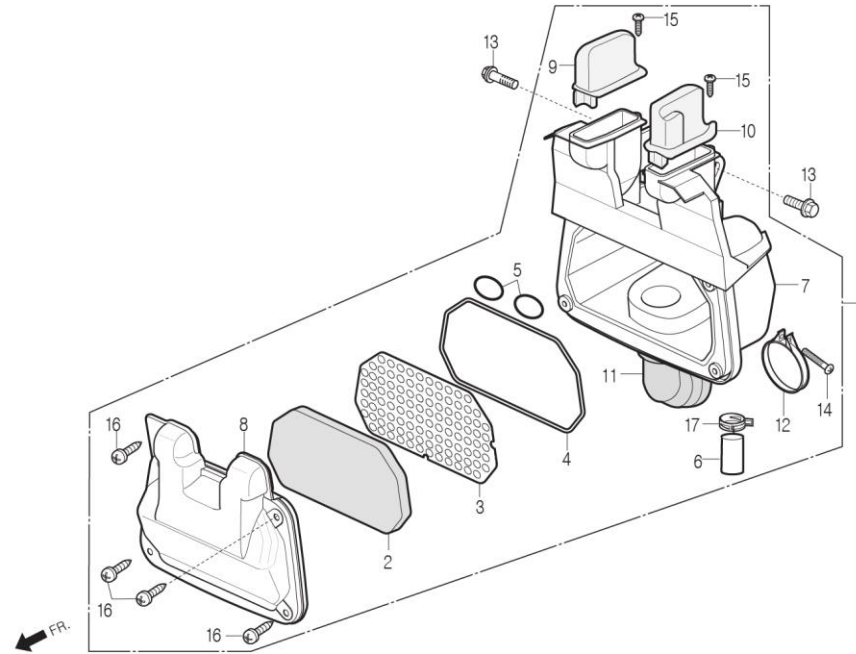


# F-16

## AIR CLEANER



Service item	FRT	Ref No.	Part No.	Description	QTY	A/S	Exch	Start Date	End Date	Start FRM.No	End FRM.No
CASE COMP., AIR CLEANER 0.3		1	17200-CB4-0000	CLEANER ASS'Y, AIR	1	Y		20030320		KMYCB4BLS3C000001	
		2	17205-CB4-0000	ELEMENT, AIR CLEANER	1	Y		20030320		KMYCB4BLS3C000001	
		3	17212-CB4-0000	TRAP COMP., FRAME	1	N		20030320		KMYCB4BLS3C000001	
		4	17213-CB4-0000	SEAL, AIR CLEANER COVER	1	N		20030320		KMYCB4BLS3C000001	
		5	17214-CB4-0000	SEAL, AIR CLEANER CASE	2	N		20030320		KMYCB4BLS3C000001	
		6	17227-CB4-0000	TUBE, VYNIL, 11x15x45	1	N		20030320		KMYCB4BLS3C000001	
		7	17230-CB4-0000	CASE, AIR CLEANER	1	N		20030320		KMYCB4BLS3C000001	
		8	17231-CB4-0000	COVER, AIR CLEANER	1	N		20030320		KMYCB4BLS3C000001	
		9	17233-CB4-0000	CAP, RH.DUCT	1	N		20030320		KMYCB4BLS3C000001	
		10	17234-CB4-0000	CAP, LH.DUCT	1	N		20030320		KMYCB4BLS3C000001	
		11	17253-CB4-0000	TUBE, AIR CLEANER CONNECTING	1	N		20030320		KMYCB4BLS3C000001	
		12	17256-CB2-0100	BAND B, AIR CLEANER CONNECTING TUBE	1	N		20030320		KMYCB4BLS3C000001	
		13	90111-SE5-1000	BOLT, FLANGE, 6mm	2	Y		20030320		KMYCB4BLS3C000001	
		14	S3500-05025-0A	SCREW, PAN, 5x25	1	N		20030320		KMYCB4BLS3C000001	
		15	S3901-24310	SCREW, TAPPING, 4x12	2	N		20030320		KMYCB4BLS3C000001	
		16	S3903-45310	SCREW, TAPPING, 5x16	4	N		20030320		KMYCB4BLS3C000001	
		17	S5002-41300-08	CLAMP, TUBE, D13	1	N		20030320		KMYCB4BLS3C000001	