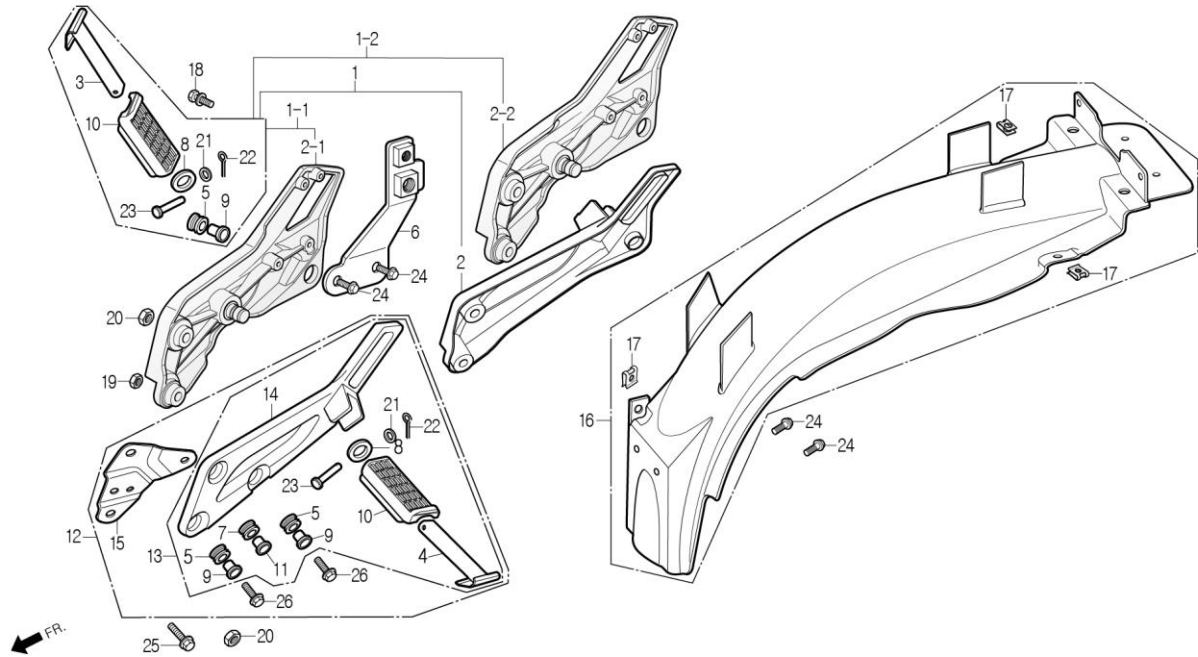


# F-23

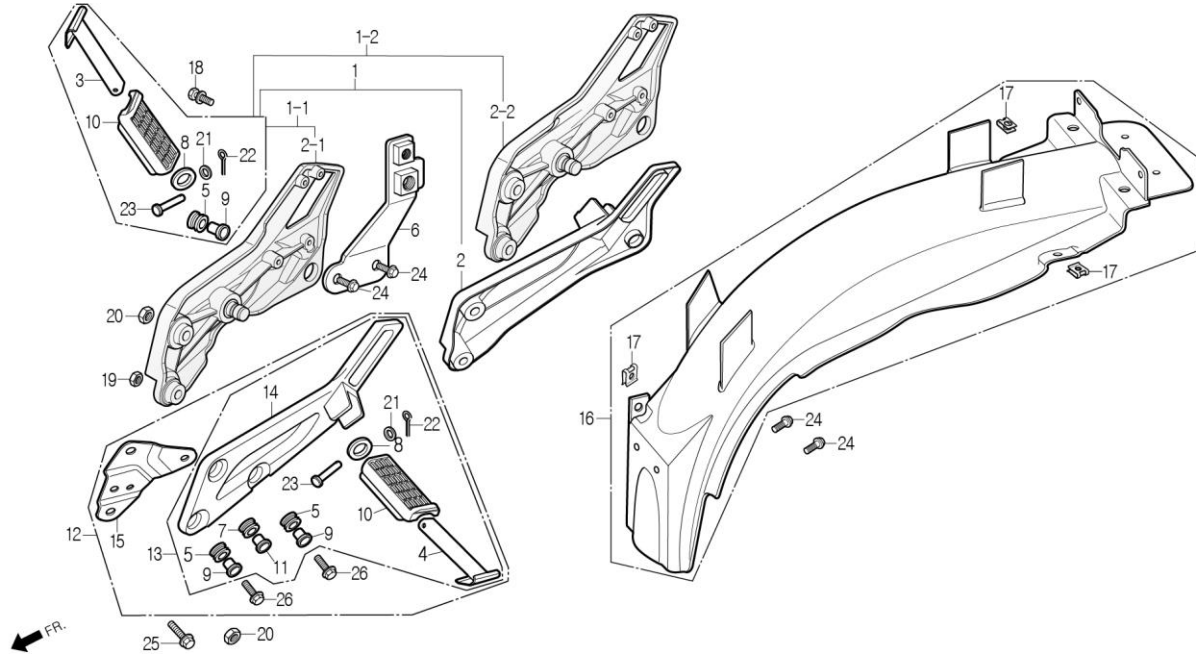
## REAR MUDGUARD / PILLION STEP



Service item	FRT	Ref No.	Part No.	Description	QTY	A/S	Exch	Start Date	End Date	Start FRM.No	End FRM.No
HOLDER ASS'Y, RH.PILLION STEP	0.1	1	5071A-CB4-0000	HOLDER ASS'Y, RH.PILLION STEP	1	N	Y	20030320	20071231	KMYCB4BLS3C000001	KMYCB4BLS8C003290
		1-1	5071A-CB4-3000	HOLDER ASS'Y, RH.PILLION STEP	1	N	Y	20070418	20161010	KMYCB4BLS7C003070	KMYCB4BLSHC005486
HOLDER ASS'Y, LH.PILLION STEP	0.1	1-2	5071A-CB4-3010	HOLDER ASS'Y, RH.PILLION STEP	1	Y		20161011		KMYCB4BLSHC005487	
		2	50710-CB4-0000	HOLDER, PILLION STEP	1	N	Y	20030320	20071231	KMYCB4BLS3C000001	KMYCB4BLS8C003290
MUDGUARD, RR.	1.0	2-1	50710-CB4-3000	HOLDER, RH.PILLION STEP	1	N	Y	20070418	20161010	KMYCB4BLS7C003070	KMYCB4BLSHC005486
		2-2	50710-CB4-3010	HOLDER, RH.PILLION STEP	1	N		20161011		KMYCB4BLSHC005487	
		3	50711-CB4-0000	BAR, RH.PILLION STEP	1	N		20030320		KMYCB4BLS3C000001	
		4	50712-CB4-0000	BAR, LH.PILLION STEP	1	N		20030320		KMYCB4BLS3C000001	
		5	50713-CB4-0000	RUBBER, STEP HOLDER MOUNT	3	N		20030320		KMYCB4BLS3C000001	
		6	50713-CB4-3000	STAY, RR.RESERVOIR	1	Y		20070418		KMYCB4BLS7C003070	
		7	50714-CB4-0000	RUBBER B, STEP HOLDER MOUNT	1	N		20030320		KMYCB4BLS3C000001	
		8	50715-BA6-0000	PLATE, PILLION STEP SIDE	2	N		20030320		KMYCB4BLS3C000001	
		9	50715-CB4-0000	COLLAR B, STEP HOLDER	3	N		20030320		KMYCB4BLS3C000001	
		10	50716-CB4-0000	RUBBER, PILLION STEP	2	N		20030320		KMYCB4BLS3C000001	
		11	50717-CB4-0000	COLLAR A, STEP HOLDER	1	N		20030320		KMYCB4BLS3C000001	
		12	5072A-CB4-0000	HOLDER SET., LH.PILLION STEP	1	Y		20030320		KMYCB4BLS3C000001	
		13	5072B-CB4-0000	HOLDER ASS'Y, LH.PILLION STEP	1	Y		20030320		KMYCB4BLS3C000001	
		14	50720-CB4-0000	HOLDER, LH.PILLION STEP	1	N		20030320		KMYCB4BLS3C000001	
		15	50721-CB4-0000	HOLDER BRACKET, LH.PILLION STEP	1	Y		20030320		KMYCB4BLS3C000001	
		16	80100-CB4-0000	MUDGUARD, RR.	1	Y	Y	20030320	20140714	KMYCB4BLS3C000001	KMYCB4BLSFC005069
			80110-CB4-4020	MUDGUARD, RR.	1	Y		20140715		KMYCB4BLSFC005070	

# F-23

## REAR MUDGUARD / PILLION STEP



Service item	FRT	Ref No.	Part No.	Description	QTY	A/S	Exch	Start Date	End Date	Start FRM.No	End FRM.No
		17	90677-SE5-0030	NUT, CLIP, 5mm	3	Y		20030320		KMYCB4BLS3C000001	
		18	S3414-08025-00	BOLT, WASHER, 8x25	1	Y		20030320		KMYCB4BLS3C000001	
		19	S4030-08080	NUT, HEX, 8mm	1	Y		20030320		KMYCB4BLS3C000001	
		20	S4030-10080	NUT, HEX, 10mm	2	Y		20030320		KMYCB4BLS3C000001	
		21	S4101-06800	WASHER, PLAIN, 6mm	2	N		20030320		KMYCB4BLS3C000001	
		22	S4201-16150	PIN, SPLIT, 1.4x15	2	N		20030320		KMYCB4BLS3C000001	
		23	S5015-82000	PIN B, PILLION STEP	2	N		20030320		KMYCB4BLS3C000001	
		24	S5701-06012-08	BOLT, FLANGE, 6x12	2	N	Y	20030320	20071231	KMYCB4BLS3C000001	KMYCB4BLS8C003290
			S5701-06012-08	BOLT, FLANGE, 6x12	4	N	Y	20070418	20100430	KMYCB4BLS7C003070	KMYCB4BLSAC003718
			S5701-06012-00	BOLT, FLANGE, 6x12	4	Y		20100501		KMYCB4BLSAC003719	
		25	S5701-08016-08	BOLT, FLANGE, 8x16	1	N	Y	20030320	20100430	KMYCB4BLS3C000001	KMYCB4BLSAC003718
			S5701-08016-00	BOLT, FLANGE, 8x16	1	Y		20100501		KMYCB4BLSAC003719	
		26	S5701-08028-00	BOLT, FLANGE, 8x28	2	Y		20030320		KMYCB4BLS3C000001	