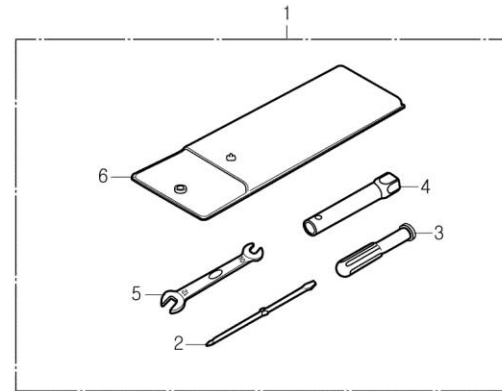


F-27

TOOL



Service item	FRT	Ref No.	Part No.	Description	QTY	A/S	Exch	Start Date	End Date	Start FRM.No	End FRM.No
		1	89010-CB3-8910	TOOL SET	1	N	Y	20030320	20090930	KMYCB4BLS3C000001	KMYCB4BLSAC003558
			89010-CB3-8920	TOOL SET	1	N		20091001		KMYCB4BLSAC003559	
		2	89102-CB2-0000	DRIVER, NO.2 PLUS & MINUS	1	N		20030320		KMYCB4BLS3C000001	
		3	89103-CB2-0000	GRIP	1	N		20030320		KMYCB4BLS3C000001	
		4	89216-HD2-9000	WRENCH, BOX, 16	1	N		20030320		KMYCB4BLS3C000001	
		5	S9001-BA7-0300-M1	SPANNER, 10x12	1	N	Y	20030320	20090930	KMYCB4BLS3C000001	KMYCB4BLSAC003558
			S9001-BA7-0600-M1	SPANNER, 14x17	1	N		20091001		KMYCB4BLSAC003559	
		6	S9008-01600	TOOL BAG, 160mm	1	N	Y	20030320	20040531	KMYCB4BLS3C000001	KMYCB4BLS5C001988
			89104-SZ1-0000	TOOL BAG, 160mm	1	N		20040601		KMYCB4BLS5C001989	