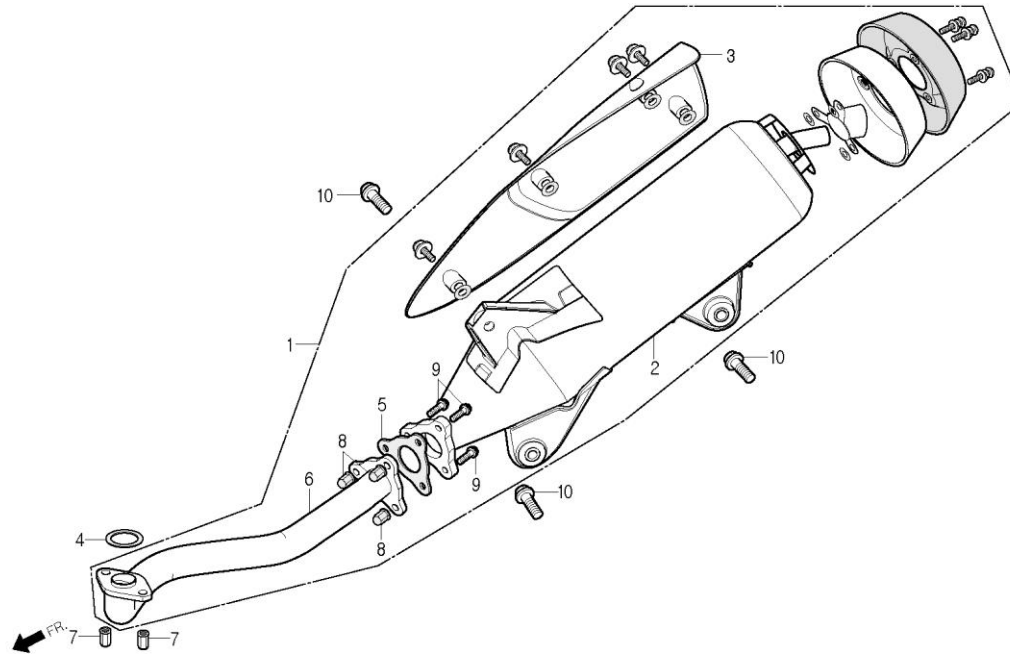


F-20

EXHAUST MUFFLER



[Set Applied Info]

Service item	FRT	Ref No.	Part No.	Description	QTY	A/S	Exch	Start Date	End Date	Start FRM.No	End FRM.No
MUFFLER ASS'Y, EXHAUST 0.4		1	18200-SA9-RZ00	MUFFLER ASS'Y, EXHAUST	1	Y		20090325		KMYSA9BLS91500001	
		2	18210-SA9-RZ00	BODY COMP., MUFFLER	1	Y		20090325		KMYSA9BLS91500001	
		3	18261-SA9-0000	MUFFLER SHIELD(Muffler protector)	1	Y		20090325		KMYSA9BLS91500001	
		4	18291-SA5-0000	GASKET, EXHAUST PIPE	1	Y		20090325		KMYSA9BLS91500001	
		5	18292-SA9-1000	GASKET, EXHAUST PIPE FLANGE	1	Y		20090325		KMYSA9BLS91500001	
		6	18320-SA9-1000	PIPE COMP., EXHAUST	1	Y		20090325		KMYSA9BLS91500001	
		7	90204-SA5-0000	NUT M6	2	Y		20090325		KMYSA9BLS91500001	
		8	F4021-06060-0S	NUT, CAP M6	3	Y		20090325		KMYSA9BLS91500001	
		9	F6002-06022-09	BOLT, SH.FLANGE 6x22	3	Y		20090325		KMYSA9BLS91500001	
		10	F6002-08035-09	BOLT, SH.FLANGE 8x35	3	Y		20090325		KMYSA9BLS91500001	