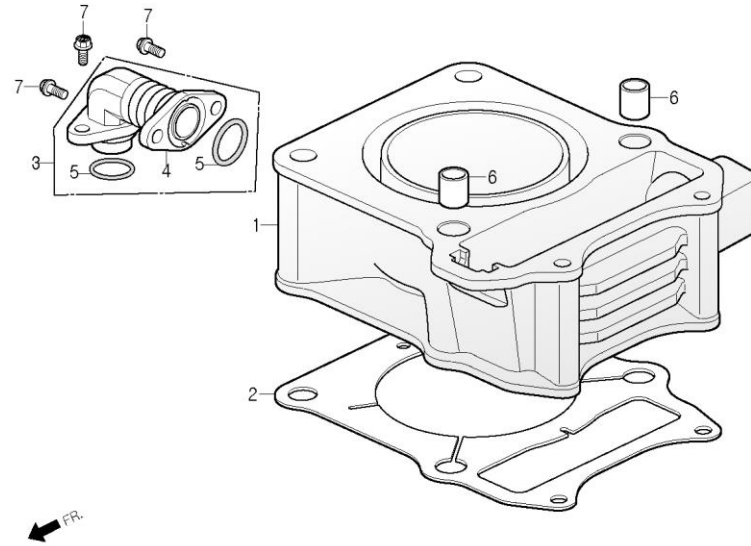


# E-02

## CYLINDER



Service item	FRT	Ref No.	Part No.	Description	QTY	A/S	Exch	Start Date	End Date	Start FRM.No	End FRM.No
CYLINDER COMP.	3.2	1	12100-BA8-0000	CYLINDER COMP.	1	N	Y	20070425	20091104	KMYBA8BLS7C000001	KMYBA8BLSAC003417
			12100-BA8-0010	CYLINDER COMP.	1	Y		20091105		KMYBA8BLSAC003418	
GASKET, CYLINDER	3.1	2	12191-BA8-RZ00	GASKET, CYLINDER	1	N	Y	20070425	20100930	KMYBA8BLS7C000001	KMYBA8BLSBC003878
			12191-SAB-0000	GASKET, CYLINDER	1	Y		20101001		KMYBA8BLSBC003879	
		3	19060-BA8-0000	PIPE ASS'Y, WATER PUMP	1	Y		20070425		KMYBA8BLS7C000001	
		4	19061-BA8-0000	PIPE, WATER PUMP	1	N		20070425		KMYBA8BLS7C000001	
		5	91312-BA8-0000	O-RING, 17x3	2	Y		20070425		KMYBA8BLS7C000001	
		6	S4301-12160	PIN, DOWEL, 12x16	2	Y		20070425		KMYBA8BLS7C000001	
		7	S6001-06018-00	BOLT, FLANGE, SH.6x18	3	Y		20070425		KMYBA8BLS7C000001	