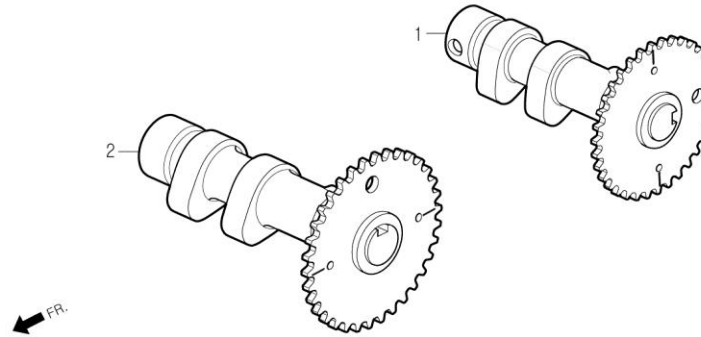


E-03

CAM SHAFT



Service item	FRT	Ref No.	Part No.	Description	QTY	A/S	Exch	Start Date	End Date	Start FRM.No	End FRM.No
SHAFT, CAM (ADD 0.3 FOR EACH)	1.2	1	14100-BA8-0000	SHAFT COMP., INLET CAM	1	N	Y	20070425	20150430	KMYBA8BLS7C000001	KMYBA8BLSFC005407
			14100-BA8-0000-M1	SHAFT COMP., INLET CAM	1	Y		20150501		KMYBA8BLSFC005408	
		2	14200-BA8-0000	SHAFT COMP., EXHAUST CAM	1	N	Y	20070425	20150430	KMYBA8BLS7C000001	KMYBA8BLSFC005407
			14200-BA8-0000-M1	SHAFT COMP., EXHAUST CAM	1	Y		20150501		KMYBA8BLSFC005408	