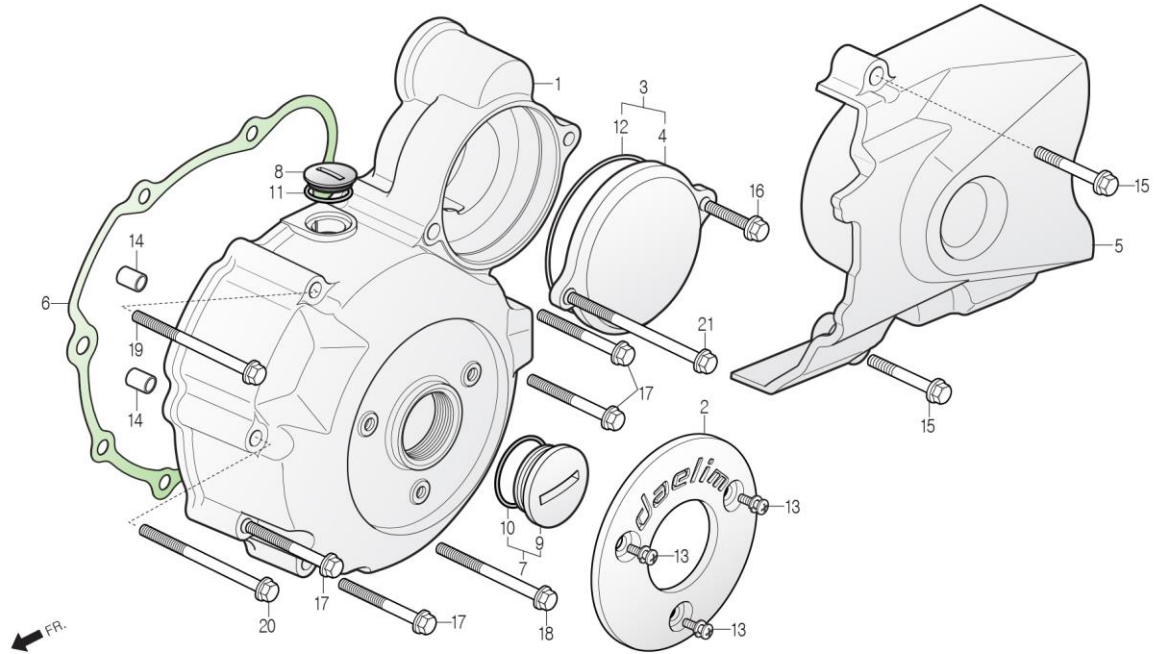


# E-08

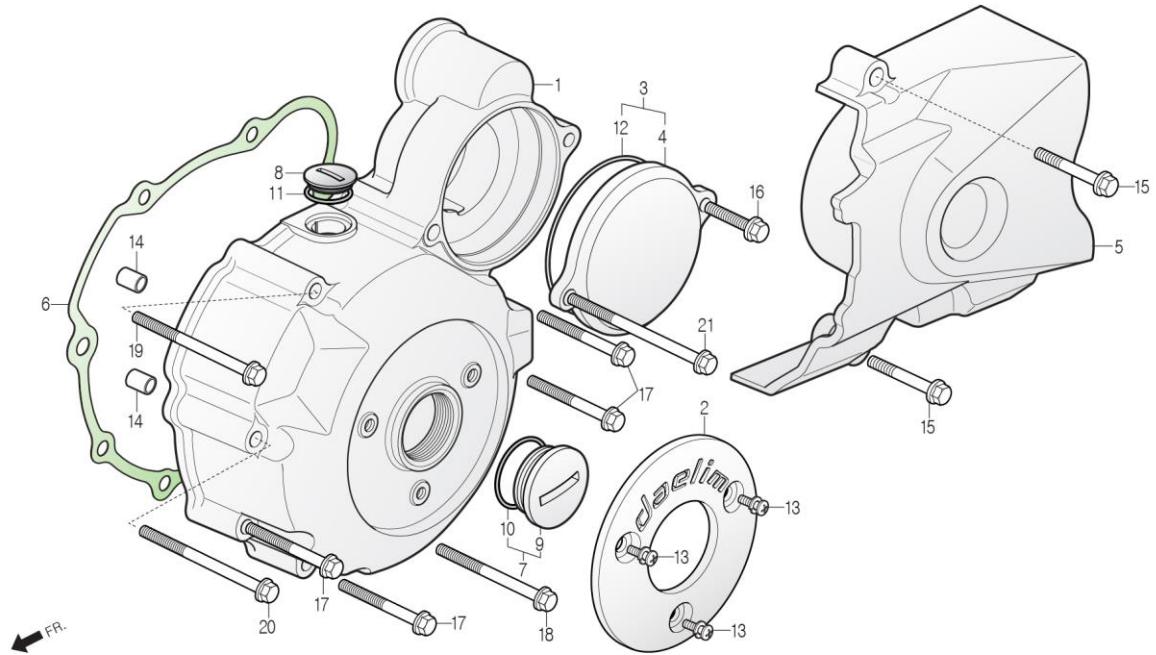
## LEFT CRANK CASE COVER



Service item	FRT	Ref No.	Part No.	Description	QTY	A/S	Exch	Start Date	End Date	Start FRM.No	End FRM.No
COVER, LH.CRANK CASE	0.5	1	11340-BA8-0000	COVER COMP., LH.CRANK CASE	1	N	Y	20070425	20090914	KMYBA8BLS7C000001	KMYBA8BLSAC003385
			11340-BZ1-0000	COVER COMP., LH.CRANK CASE	1	N	Y	20090915	20170101	KMYBA8BLSAC003386	KMYBA8BLSHC005997
COVER, REDUCTION GEAR	0.2		11340-BZ1-0010	COVER COMP., LH.CRANK CASE	1	Y		20170102		KMYBA8BLSHC005998	
GASKET, LH.CRANK CASE	0.5	2	11342-BA8-0000	COVER, LH. CRANK CASE COVER	1	Y		20070425		KMYBA8BLS7C000001	
		3	1135A-BA8-0000	COVER ASS'Y, REDUCTION GEAR	1	Y		20070425		KMYBA8BLS7C000001	
COVER COMP., LH.RR.	0.1	4	11355-BA8-0000	COVER, REDUCTION GEAR	1	N		20070425		KMYBA8BLS7C000001	
		5	11360-BA8-0000	COVER COMP., LH.RR.	1	N	Y	20070425	20100214	KMYBA8BLS7C000001	KMYBA8BLSAC003428
			11360-BA8-0010	COVER COMP., LH.RR.	1	Y		20100215		KMYBA8BLSAC003429	
		6	11395-BA8-RZ00	GASKET, LH.SIDE COVER	1	Y		20070425		KMYBA8BLS7C000001	
		7	9008A-CB2-PH00	CAP ASSY, 30mm	1	Y		20070425		KMYBA8BLS7C000001	
		8	90084-CB2-PH00	CAP, AC.GENERATOR	1	Y		20070425		KMYBA8BLS7C000001	
		9	90087-CB2-PH00	CAP 30mm	1	N		20070425		KMYBA8BLS7C000001	
		10	91302-BA7-0050	O-RING 27.4x2.4	1	Y		20070425		KMYBA8BLS7C000001	
		11	91303-CB2-1000	O-RING 13.8x2.5	1	N		20070425		KMYBA8BLS7C000001	
		12	91359-BA6-0030	O-RING 63.0x3.0	1	Y		20070425		KMYBA8BLS7C000001	
		13	S3892-05010-18	SCREW, WASHER, 5x10	3	N	Y	20070425	20090630	KMYBA8BLS7C000001	KMYBA8BLSAC003373
			S3891-05010-18	SCREW, WASHER, 5x10	3	N	Y	20090701	20100430	KMYBA8BLSAC003374	KMYBA8BLSAC003562
			S3891-05010-10	SCREW, WASHER, 5x10	3	Y		20100329		KMYBA8BLSAC003429	
		14	S4301-10160	PIN, DOWEL, 10x16	2	Y		20070425		KMYBA8BLS7C000001	
		15	S6001-06032-00	BOLT, FLANGE, SH.6x32	2	N	Y	20070425	20080318	KMYBA8BLS7C000001	KMYBA8BLS8C002458
			S5701-06032-00	BOLT, FLANGE, 6x32	2	Y		20080319		KMYBA8BLS8C002459	

# E-08

## LEFT CRANK CASE COVER



Service item	FRT	Ref No.	Part No.	Description	QTY	A/S	Exch	Start Date	End Date	Start FRM.No	End FRM.No
		16	S6001-06020-00	BOLT, FLANGE, SH.6x20	1	Y		20070425		KMYBA8BLS7C000001	
		17	S6001-06040-00	BOLT, FLANGE, SH.6x40	4	Y		20070425		KMYBA8BLS7C000001	
		18	S6001-06050-00	BOLT, FLANGE, SH.6x50	1	Y		20070425		KMYBA8BLS7C000001	
		19	S6001-06055-00	BOLT, FLANGE, SH.6x55	1	Y		20070425		KMYBA8BLS7C000001	
		20	S6001-06065-00	BOLT, FLANGE, SH.6x65	1	Y		20070425		KMYBA8BLS7C000001	
		21	S6001-06070-00	BOLT, FLANGE, SH.6x70	1	Y		20070425		KMYBA8BLS7C000001	