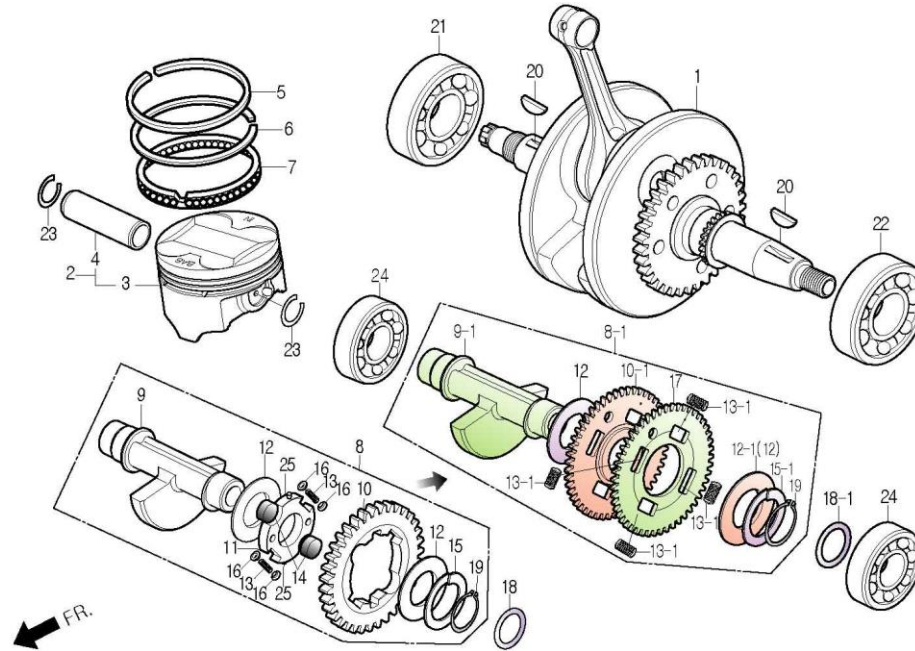


E-12

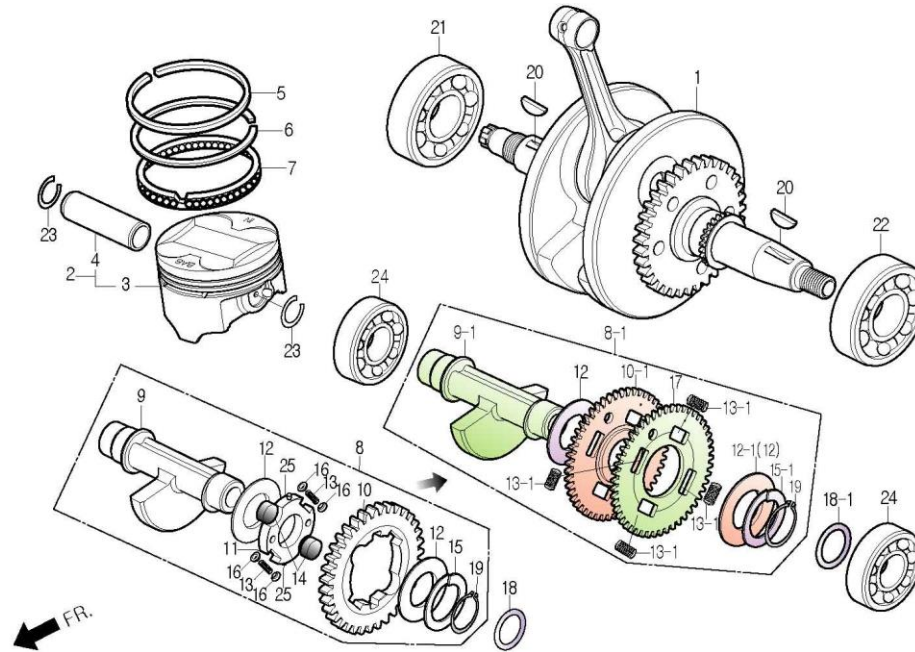
CRANK SHAFT / PISTON



Service item	FRT	Ref No.	Part No.	Description	QTY	A/S	Exch	Start Date	End Date	Start FRM.No	End FRM.No
SHAFT COMP., CRANK	*4.2	1	13000-BA8-0010	SHAFT COMP., CRANK	1	Y		20120523		KMYBA8BLSGCC004525	
			13000-BA8-0000	SHAFT COMP., CRANK	1	Y	N	20070425	20120522	KMYBA8BLS7C000001	KMYBA8BLSGCC004524
PISTON SET	*3.2	2	1310A-BA8-0000	PISTON SET	1	N	Y	20070425	20130430	KMYBA8BLS7C000001	KMYBA8BLSEC004687
			1310A-BA8-0000-M1	PISTON SET	1	Y		20130501		KMYBA8BLSEC004688	
PISTON RING	*3.2	3	13101-BA8-0000	PISTON	1	N	N	20070425	20130430	KMYBA8BLS7C000001	KMYBA8BLSEC004687
			13101-BA8-0000-M1	PISTON	1	N		20130501		KMYBA8BLSEC004688	
BALANCER ASS'Y, CRANK	*4.2	4	13111-BA6-9300	PIN, PISTON	1	N	N	20070425	20130430	KMYBA8BLS7C000001	KMYBA8BLSEC004687
			13111-BA6-9300-M1	PIN, PISTON	1	N		20130501		KMYBA8BLSEC004688	
RADIAL BALL BEARING (63/28, 6204,6207)	*4.3	5	13121-BA8-0000-M1	RING, PISTON TOP	1	Y		20070425		KMYBA8BLS7C000001	
		6	13131-BA8-0000-M1	RING, PISTON 2ND	1	Y		20070425		KMYBA8BLS7C000001	
		7	13141-BA6-9620-M2	RING, PISTON OIL	1	Y		20070425		KMYBA8BLS7C000001	
		8-1	13400-BA8-0010	BALANCER ASS'Y, CRANK	1	Y		20120523		KMYBA8BLSGCC004525	
		8	13400-BA8-0000	BALANCER ASS'Y, CRANK	1	Y	N	20070425	20120522	KMYBA8BLS7C000001	KMYBA8BLSGCC004524
		9-1	13410-BA8-0010	BALANCER, CRANK	1	N		20120523		KMYBA8BLSGCC004525	
		9	13410-BA8-0000	BALANCER, CRANK	1	N	N	20070425	20120522	KMYBA8BLS7C000001	KMYBA8BLSGCC004524
		10-1	13411-BZ1-0000	GEAR, BALANCER DRIVEN	1	N		20120523		KMYBA8BLSGCC004525	
		10	13411-BA8-0000	GEAR, BALANCER DRIVEN	1	N	N	20070425	20120522	KMYBA8BLS7C000001	KMYBA8BLSGCC004524
		11	13412-BA8-0000	CENTER COMP., BALANCER DRIVEN GEAR	1	N		20070425	20120522	KMYBA8BLS7C000001	KMYBA8BLSGCC004524
		12	13413-BA8-0000	PLATE, BALANCER GEAR SIDE	2	N	N	20070425	20120522	KMYBA8BLS7C000001	KMYBA8BLSGCC004524
			13413-BA8-0000	PLATE, BALANCER GEAR SIDE	1	N	N	20120523		KMYBA8BLSGCC004525	
		12-1	13413-BZ1-0000	PLATE, BALANCER GEAR SIDE	1	N		20120523		KMYBA8BLSGCC004525	
		13	13414-BA8-0000	SPRING, BALANCE GEAR	2	N	Y	20070425	20070827	KMYBA8BLS7C000001	KMYBA8BLS8C002272

E-12

CRANK SHAFT / PISTON



Service item	FRT	Ref No.	Part No.	Description	QTY	A/S	Exch	Start Date	End Date	Start FRM.No	End FRM.No
			13414-BA8-0010	SPRING, BALANCE GEAR	2	N	N	20070828	20120522	KMYBA8BLS8C002273	KMYBA8BLS8C002273
		13-1	13414-BZ1-0000	SPRING, BALANCE GEAR	4	N		20120523		KMYBA8BLS8C004525	KMYBA8BLS8C004525
		14	13415-BA8-0000	DAMPER, BALANCER GEAR	2	N		20070425	20120522	KMYBA8BLS7C000001	KMYBA8BLS7C000001
		15-1	13416-BZ1-0000	WASHER, SPRING	1	N		20120523		KMYBA8BLS8C004525	KMYBA8BLS8C004525
		15	13416-BA8-0000	WASHER, SPRING	1	N	N	20070425	20120522	KMYBA8BLS7C000001	KMYBA8BLS7C000001
		16	13417-BA8-0000	CAP, BALANCER GEAR SPRING.	4	N		20070601	20120522	KMYBA8BLS7C000888	KMYBA8BLS7C000888
		17	13418-BZ1-0000	SUB GEAR, BALANCER DRIVEN	1	N		20120523		KMYBA8BLS8C004525	KMYBA8BLS8C004525
		18-1	22218-HD2-8900	WASHER B, THRUST(0.3t)	1	Y		20120523		KMYBA8BLS8C004525	KMYBA8BLS8C004525
		18	90454-BA6-0000	WASHER, THRUST, 20mm(1.0t)	1	Y	N	20070425	20120522	KMYBA8BLS7C000001	KMYBA8BLS7C000001
		19	90605-BA6-0000	SET RING, 20mm	1	Y		20070425		KMYBA8BLS7C000001	KMYBA8BLS7C000001
		20	90741-BA6-9600	KEY, WOODRUFF, 25x14x4	2	Y		20070425		KMYBA8BLS7C000001	KMYBA8BLS7C000001
		21	91001-BA6-9310-M1	BEARING, BALL RADIAL 63128	1	Y		20070425		KMYBA8BLS7C000001	KMYBA8BLS7C000001
		22	91005-BA6-9610-M1	BEARING, BALL RADIAL 6207	1	Y		20070425		KMYBA8BLS7C000001	KMYBA8BLS7C000001
		23	S4601-15000	CLIP, PISTON PIN, 15mm	2	Y		20070425		KMYBA8BLS7C000001	KMYBA8BLS7C000001
		24	S6100-62040-00	BEARING, RADIAL BALL 6204	2	Y		20070425		KMYBA8BLS7C000001	KMYBA8BLS7C000001
		25	S6220-30066	ROLLER, 3x6.6	2	N	Y	20070425	20070827	KMYBA8BLS7C000001	KMYBA8BLS7C000001
			S6220-30062	ROLLER, 3x6.2	2	N		20070828	20120522	KMYBA8BLS8C002273	KMYBA8BLS8C002273