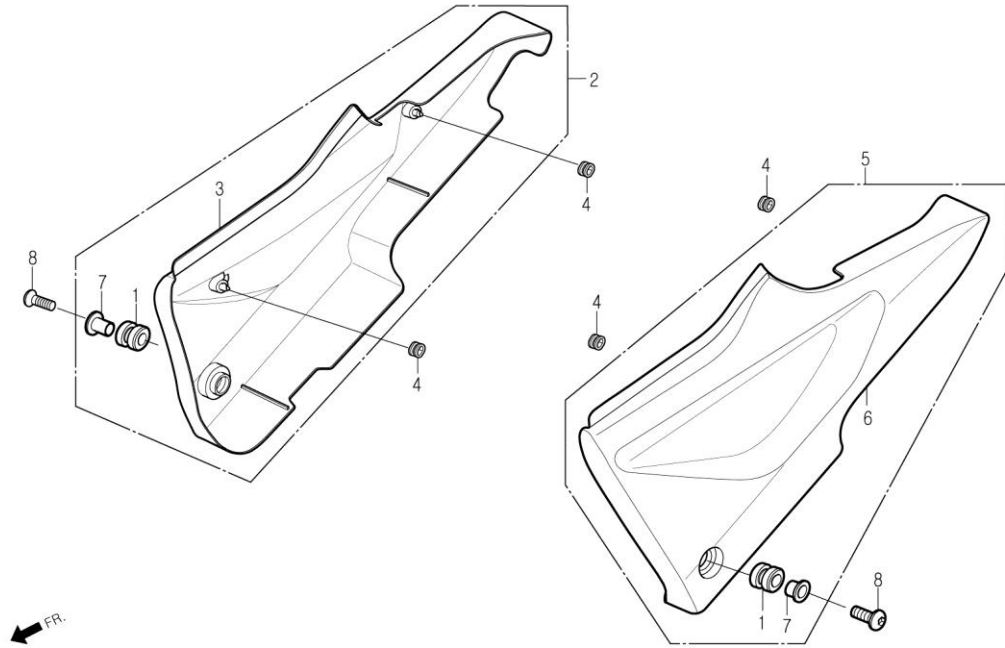


F-15

SIDE COVER



Service item	FRT	Ref No.	Part No.	Description	QTY	A/S	Exch	Start Date	End Date	Start FRM.No	End FRM.No	
COVER, SIDE	0.1	1	80101-BA5-0000	RUBBER, RR.FENDER CUSHION	2	N		20070425		KMYBA8BLS7C000001		
		2	8354A-BA4-0000	COVER ASS'Y, RH.SIDE	1	Y		20070425		KMYBA8BLS7C000001		
		3	83540-BA4-0000	COVER, RH.SIDE	1	N		20070425		KMYBA8BLS7C000001		
		4	83551-BA6-0000	GROMMET, SIDE COVER	4	Y		20070425		KMYBA8BLS7C000001		
		5	8364A-BA4-0000	COVER ASS'Y, LH.SIDE	1	Y		20070425		KMYBA8BLS7C000001		
		6	83640-BA4-0000	COVER, LH.SIDE	1	N		20070425		KMYBA8BLS7C000001		
		7	90001-BA5-0000	COLLAR, SIDE MOUNT	2	Y		20070425	20110630	KMYBA8BLS7C000001	KMYBA8BLS7C000001	KMYBA8BLS7C000001
		8	90107-BA5-9100	BOLT, SPECIAL, 6x22	2	Y		20070425		KMYBA8BLS7C000001		KMYBA8BLS7C000001