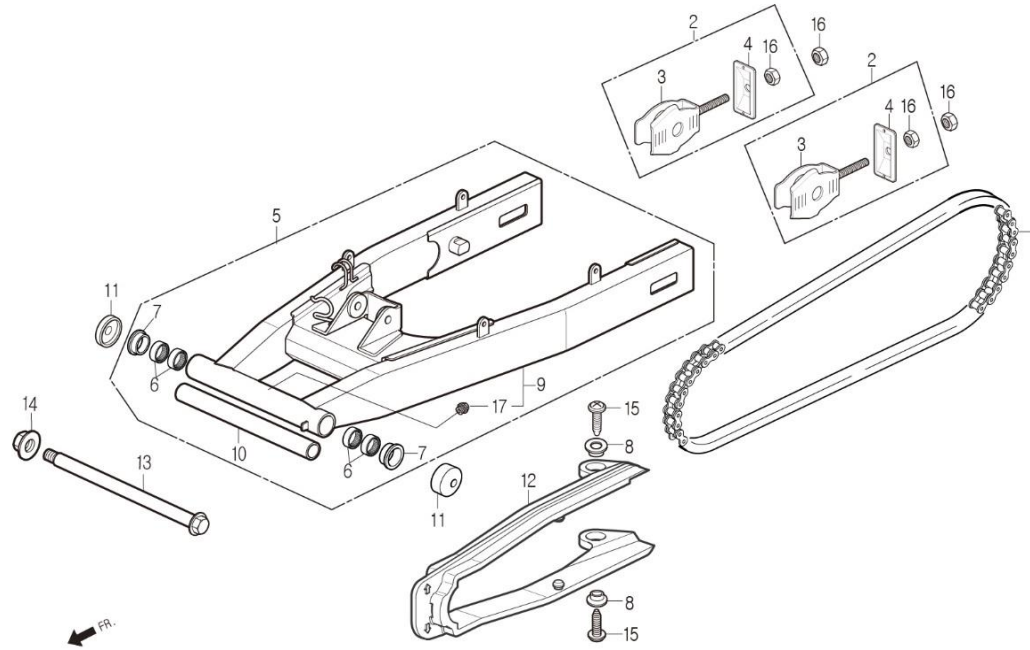


F-23

SWING ARM



Service item	FRT	Ref No.	Part No.	Description	QTY	A/S	Exch	Start Date	End Date	Start FRM.No	End FRM.No
O-RING CHAIN ASS'Y	0.4	1	40530-BA4-0000-M2	O-RING CHAIN ASS'Y, 428H0x130L	1	N	Y	20070425	20141231	KMYBA8BLS7C000001	KMYBA8BLSFC005265
			40530-BA4-0000-M1	O-RING CHAIN ASS'Y, 428H0x130L	1	Y		20150101		KMYBA8BLSFC005266	
SWING ARM ASS'Y, RR.	0.8	2	4054A-BA4-0000	ADJUSTER ASS'Y, CHAIN	2	Y		20070425		KMYBA8BLS7C000001	
· BUSH, RR.FORK	0.9	3	40543-BA4-0000	ADJUSTER, CHAIN	2	N		20070425		KMYBA8BLS7C000001	
· COLLAR, PIVOT DISTANCE CENTER		4	40546-BA4-0000	CAP, RR.FORK END	2	N		20070425		KMYBA8BLS7C000001	
		5	52100-BA4-RB10	SWINGARM ASS'Y, RR.	1	Y		20070425		KMYBA8BLS7C000001	
SLIDER, CHAIN	0.3	6	52107-BA5-RB00	BEARING, RR.FORK PIVOT	4	Y		20070425		KMYBA8BLS7C000001	
		7	52108-BA5-RB00	BUSH, REAR FORK	2	Y		20070425		KMYBA8BLS7C000001	
		8	52108-BA5-9000	COLLAR, CHAIN SLIDER	2	Y		20070425		KMYBA8BLS7C000001	
		9	52110-BA4-RB10	SWINGARM COMP., RR.	1	N		20070425		KMYBA8BLS7C000001	
		10	52141-BA5-9000	COLLAR, PIVOT DISTANCE CENTER	1	Y		20070425		KMYBA8BLS7C000001	
		11	52144-BA6-0050	CAP, RR.FORK DUST SEAL	2	Y		20070425		KMYBA8BLS7C000001	
		12	52170-BA4-0000	SLIDER, CHAIN	1	Y		20070425		KMYBA8BLS7C000001	
		13	90121-BA4-0000	BOLT, SWING ARM PIVOT	1	Y		20070425		KMYBA8BLS7C000001	
		14	90305-CB2-0030	NUT, U, 14mm	1	Y		20070425		KMYBA8BLS7C000001	
		15	S3901-26180	SCREW, TAPPING, 6x12	2	Y		20070425		KMYBA8BLS7C000001	
		16	S4001-08080-0S	NUT, HEX, 8mm	4	Y		20070425		KMYBA8BLS7C000001	
		17	S6201-10000	NIPPLE, GREASE, A.T6	1	Y		20070425		KMYBA8BLS7C000001	