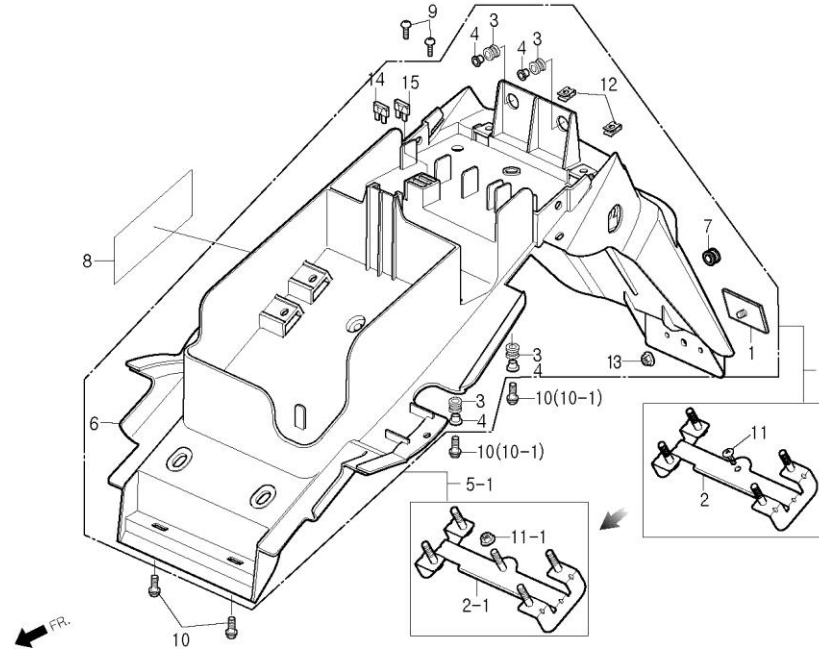


# F-25

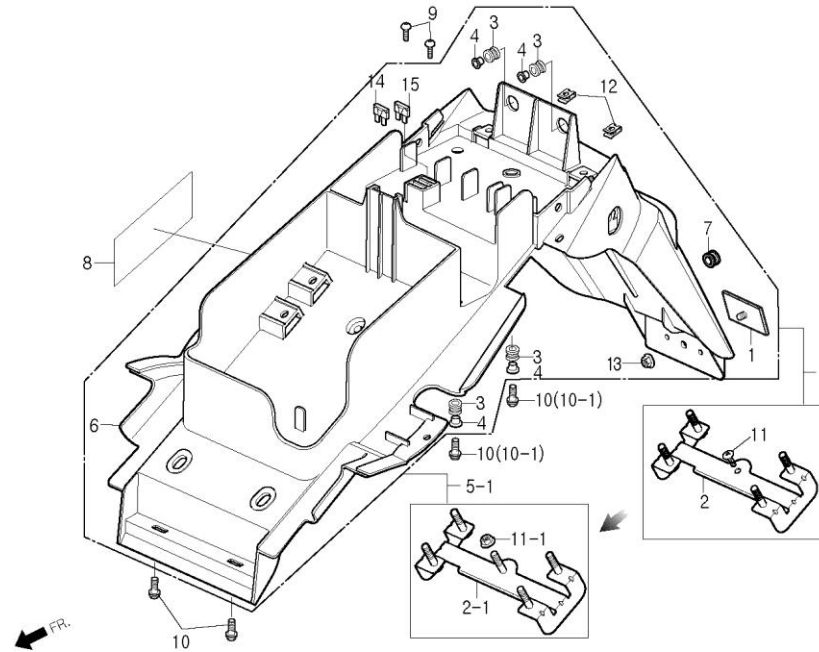
## REAR FENDER



Service item	FRT	Ref No.	Part No.	Description	QTY	A/S	Exch	Start Date	End Date	Start FRM.No	End FRM.No
FENDER ASS'Y, RR. · REFLECTOR, REFLEX	0.4	1	33741-SE5-RB00-M1	REFLECTOR, REFLEX	1	N	Y	20070425	20150809	KMYBA8BLS7C000001	KMYBA8BLSGC005500
			33741-SE5-RB00-M2	REFLECTOR, RR. REFLEX	1	Y		20150810		KMYBA8BLSGC005501	
		2	50163-BA4-R300	STAY COMP., ECU	1	N	N	20070425	20090830	KMYBA8BLS7C000001	KMYBA8BLSAC003385
		2-1	50163-BA4-R310	STAY COMP., ECU	1	Y		20090831	20110630	KMYBA8BLSAC003386	KMYBA8BLSAC004032
		3	64212-X10-0000	RUBBER, FR.COWL MOUNT	2	N		20070425	20080609	KMYBA8BLS7C000001	KMYBA8BLS8C002914
			64212-X10-0000	RUBBER, FR.COWL MOUNT	4	N		20080610		KMYBA8BLS8C002915	
		4	64213-X10-0000	COLLAR, FR.COWL SETTING	2	N		20070425	20080609	KMYBA8BLS7C000001	KMYBA8BLS8C002914
			64213-X10-0000	COLLAR, FR.COWL SETTING	4	N		20080610		KMYBA8BLS8C002915	
		5	8010A-BA4-R300	FENDER ASS'Y, RR.	1	N	Y	20070425	20090830	KMYBA8BLS7C000001	KMYBA8BLSAC003385
		5-1	8010A-BA4-R310	FENDER ASS'Y, RR.	1	Y		20090831	20110630	KMYBA8BLSAC003386	KMYBA8BLSAC004032
		6	80100-BA4-R300	FENDER COMP., RR.	1	N		20070425	20110630	KMYBA8BLS7C000001	KMYBA8BLSAC004032
		7	80101-BA1-0000	RUBBER, LICENSE PLATE	1	Y		20070425		KMYBA8BLS7C000001	
		8	87565-BA8-RZ00	CONTROL LABEL, ANTI TAMPERING	1	N		20070425		KMYBA8BLS7C000001	
9	90110-SE5-0000	SCREW, SPECIAL, 6x14	2	N		20070425	20080609	KMYBA8BLS7C000001	KMYBA8BLS8C002914		
10	90111-SE5-1000	BOLT, FLANGE, 6mm	4	Y		20070425	20080609	KMYBA8BLS7C000001	KMYBA8BLS8C002914		
	90111-SE5-1000	BOLT, FLANGE, 6mm	2	Y		20070425		KMYBA8BLS7C000001			
10-1	S5701-06025-08	BOLT, FLANGE, 6x25	2	N	Y	20080610	20100430	KMYBA8BLS8C002915	KMYBA8BLSAC003562		
	S5701-06025-00	BOLT, FLANGE, 6x25	2	Y		20100501		KMYBA8BLSAC003563			
11	90192-SB1-0000	SCREW, SPECIAL, 5x12	1	Y	N	20070425	20090830	KMYBA8BLS7C000001	KMYBA8BLSAC003385		
11-1	S4050-05080	NUT, FLANGE, 5mm	1	Y		20090831		KMYBA8BLSAC003386			
12	90305-SE5-1000	NUT, CLIP, 6mm	2	Y		20070425		KMYBA8BLS7C000001			
13	S4050-06080	NUT, FLANGE, 6mm	1	Y		20070425		KMYBA8BLS7C000001			

# F-25

## REAR FENDER



Service item	FRT	Ref No.	Part No.	Description	QTY	A/S	Exch	Start Date	End Date	Start FRM.No	End FRM.No
		14	S8200-31500	BLADE FUSE 15A	1	Y		20070425		KMYBA8BLS7C000001	
		15	S8200-33000	BLADE FUSE 30A	1	Y		20070425		KMYBA8BLS7C000001	