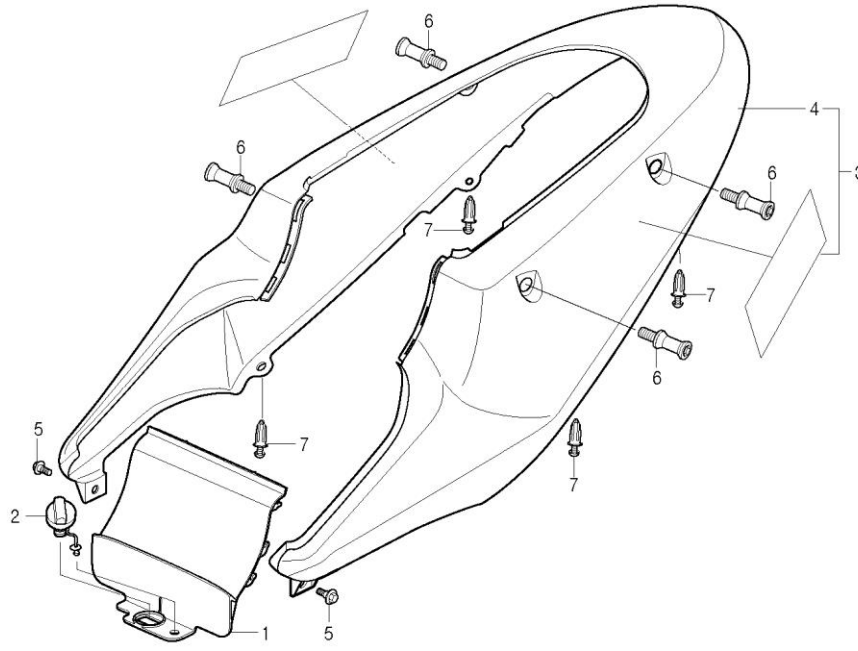


F-26

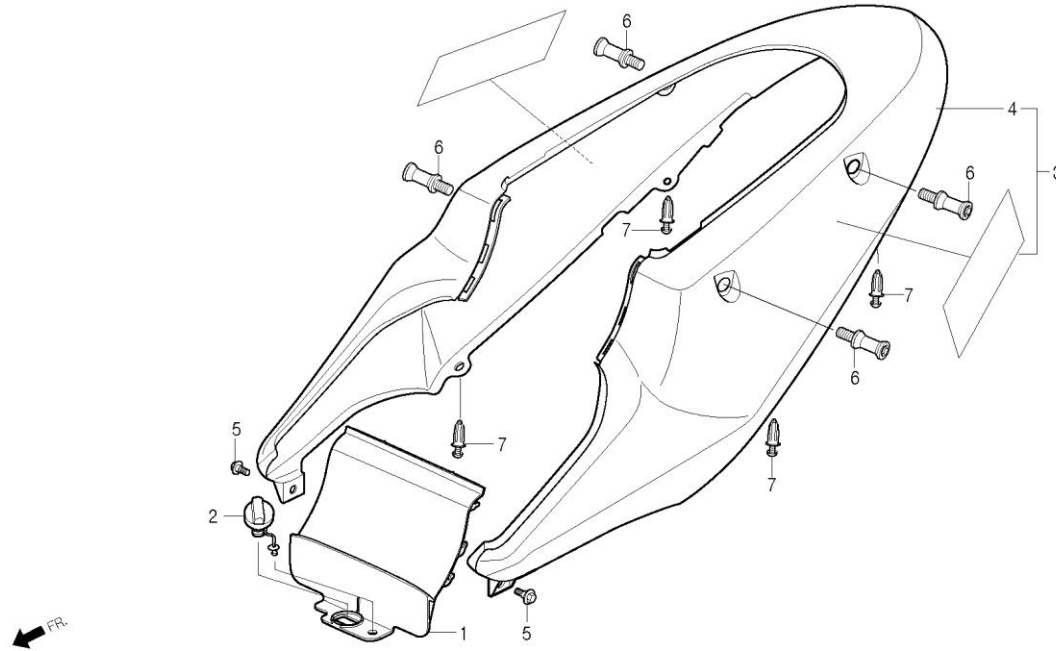
REAR COWL



Service item	FRT	Ref No.	Part No.	Description	QTY	A/S	Exch	Start Date	End Date	Start FRM.No	End FRM.No
COVER, CENTER	0.1	1	80151-BA4-0000-GB	COVER, CENTER(G/BBLUE)	1	Y		20070425	20110630	KMYBA8BLS7C000001	KMYBA8BLSCC004032
			80151-BA4-0000-IB	COVER, CENTER(I/BLUE)	1	Y		20070425	20110630	KMYBA8BLS7C000001	KMYBA8BLSCC004032
COWL ASS'Y, RR.	0.2		80151-BA4-0000-LR	COVER, CENTER(L/RED)	1	Y		20070425	20110630	KMYBA8BLS7C000001	KMYBA8BLSCC004032
			80151-BA4-0000-WP	COVER, CENTER(P/WHITE)	1	Y		20070425	20110630	KMYBA8BLS7C000001	KMYBA8BLSCC004032
		2	80152-BA4-0000	GROMMET, COVER SETTING	1	Y		20070425		KMYBA8BLS7C000001	
		3	8350A-BA8-RZ00-GB	COWL ASS'Y, REAR(G/BBLUE)	1	N	Y	20070425	20071130	KMYBA8BLS7C000001	KMYBA8BLS8C002309
			8350A-BA8-RZ10-GB	COWL ASS'Y, REAR(G/BBLUE)	1	Y	N	20071201	20090228	KMYBA8BLS8C002310	KMYBA8BLS9C003018
			8350A-BA8-RZ20-GB	COWL ASS'Y, REAR(G/BBLUE)	1	Y		20090301	20110630	KMYBA8BLS9C003019	KMYBA8BLSCC004032
			8350A-BA8-RZ00-IB	COWL ASS'Y, REAR(I/BLUE)	1	N	Y	20070425	20071130	KMYBA8BLS7C000001	KMYBA8BLS8C002309
			8350A-BA8-RZ10-IB	COWL ASS'Y, REAR(I/BLUE)	1	Y	N	20071201	20090228	KMYBA8BLS8C002310	KMYBA8BLS9C003018
			8350A-BA8-RZ20-IB	COWL ASS'Y, REAR(I/BLUE)	1	Y		20090301	20110630	KMYBA8BLS9C003019	KMYBA8BLSCC004032
			8350A-BA8-RZ00-LR	COWL ASS'Y, REAR(L/RED)	1	N	Y	20070425	20071130	KMYBA8BLS7C000001	KMYBA8BLS8C002309
			8350A-BA8-RZ10-LR	COWL ASS'Y, REAR(L/RED)	1	Y	N	20071201	20090228	KMYBA8BLS8C002310	KMYBA8BLS9C003018
			8350A-BA8-RZ20-LR	COWL ASS'Y, REAR(L/RED)	1	Y		20090301	20110630	KMYBA8BLS9C003019	KMYBA8BLSCC004032
			8350A-BA8-RZ00-WP	COWL ASS'Y, REAR(P/WHITE)	1	N	Y	20070425	20071130	KMYBA8BLS7C000001	KMYBA8BLS8C002309
			8350A-BA8-RZ10-WP	COWL ASS'Y, REAR(P/WHITE)	1	Y	N	20071201	20090228	KMYBA8BLS8C002310	KMYBA8BLS9C003018
			8350A-BA8-RZ20-WP	COWL ASS'Y, REAR(P/WHITE)	1	Y		20090301	20110630	KMYBA8BLS9C003019	KMYBA8BLSCC004032
			8350A-BA8-RE00-LR	COWL ASS'Y, REAR(L/RED)	1	Y		20100329	20110630	KMYBA8BLSAC003429	KMYBA8BLSCC004032
			8350A-BA8-RE00-TY	COWL ASS'Y, REAR(T/GRAY)	1	Y		20100329	20110630	KMYBA8BLSAC003429	KMYBA8BLSCC004032
			8350A-BA8-RE00-WP	COWL ASS'Y, REAR(P/WHITE)	1	Y		20100329	20110630	KMYBA8BLSAC003429	KMYBA8BLSCC004032
		4	83500-BA4-0000-GB	COWL, RR. (G/BBLUE)	1	N		20070425	20110630	KMYBA8BLS7C000001	KMYBA8BLSCC004032
			83500-BA4-0000-IB	COWL, REAR(I/BLUE)	1	N		20071201	20110630	KMYBA8BLS8C002310	KMYBA8BLSCC004032
			83500-BA4-0000-LR	COWL, REAR(L/RED)	1	N		20071201	20110630	KMYBA8BLS8C002310	KMYBA8BLSCC004032
			83500-BA4-0000-TY	COWL, RR. (T/GRAY)	1	N		20100329	20110630	KMYBA8BLSAC003429	KMYBA8BLSCC004032

F-26

REAR COWL



Service item	FRT	Ref No.	Part No.	Description	QTY	A/S	Exch	Start Date	End Date	Start FRM.No	End FRM.No
			83500-BA4-0000-WP	COWL, REAR(P/WHITE)	1	N		20071201	20110630	KMYBA8BLS8C002310	KMYBA8BLS004032
		5	90111-SE5-1000	BOLT, FLANGE, 6mm	2	Y		20070425		KMYBA8BLS7C000001	
		6	90125-BA4-0000	BOLT, SPECIAL	4	Y		20070425		KMYBA8BLS7C000001	
		7	90683-SE5-0030	CLIP, BODY COVER	4	Y		20070425		KMYBA8BLS7C000001	