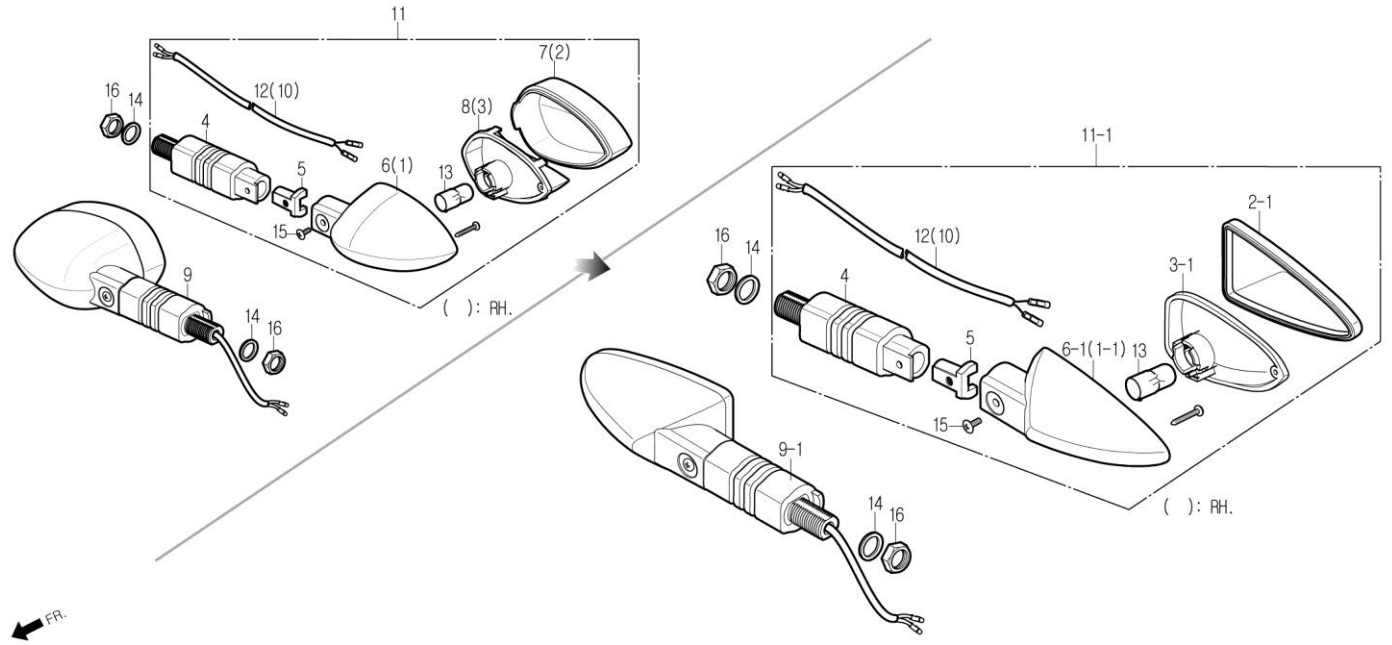


# F-29

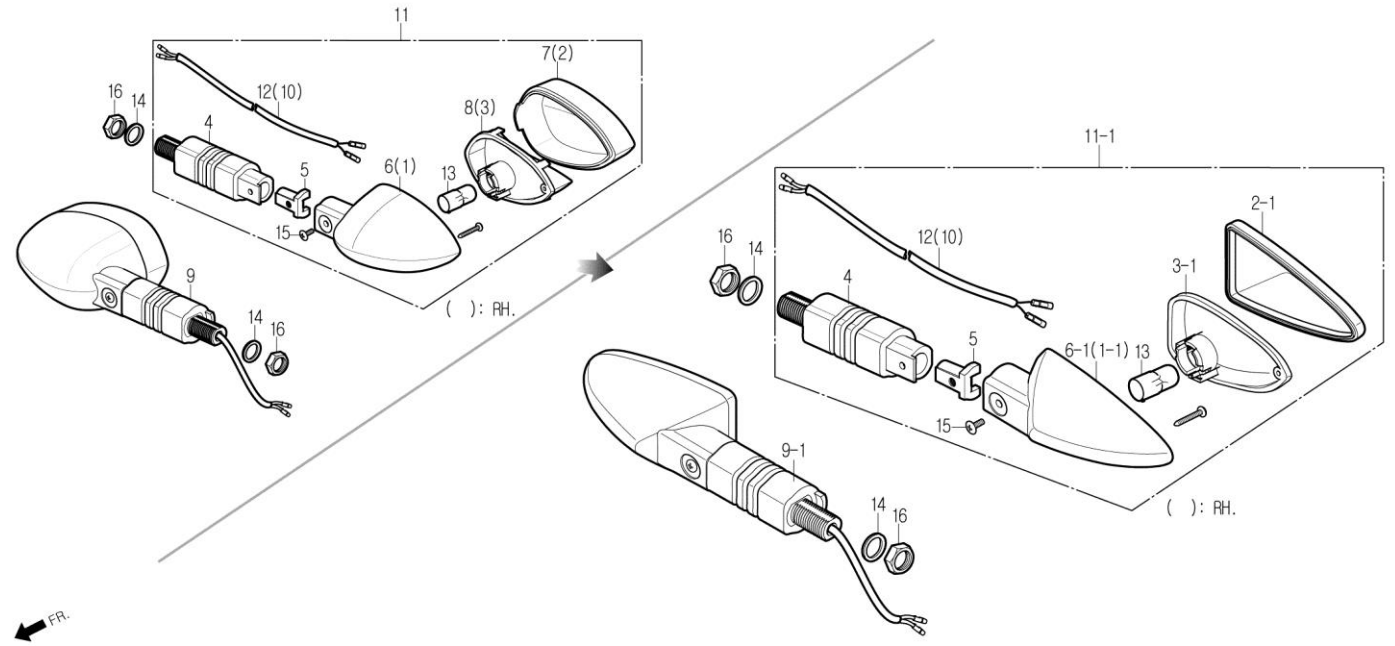
## REAR WINKER



Service item	FRT	Ref No.	Part No.	Description	QTY	A/S	Exch	Start Date	End Date	Start FRM.No	End FRM.No
WINKER ASS'Y, RR.	0.2	1	33401-BA8-0000	BASE, RH.FR.WINKER	1	N	N	20070425	20071021	KMYBA8BLS7C000001	KMYBA8BLS8C002275
· LENS, WINKER		1-1	33401-BA8-RZ00	BASE, RH.FR.WINKER	1	N		20071022		KMYBA8BLS8C002276	
· REFLECTOR, WINKER		2	33402-BA8-0000	LENS, RH.FR.WINKER	1	N	N	20070425	20071021	KMYBA8BLS7C000001	KMYBA8BLS8C002275
· STAY COMP., RR.WINKER		2-1	33402-BA8-RZ00	LENS, RH.FR.WINKER	2	N		20071022		KMYBA8BLS8C002276	
BULB, WINKER	0.1	3	33403-BA8-0000	REFLECTOR, RH.WINKER	1	N	N	20070425	20071021	KMYBA8BLS7C000001	KMYBA8BLS8C002275
		3-1	33403-BA8-RZ00	REFLECTOR, RH.WINKER	2	N		20071022		KMYBA8BLS8C002276	
		4	33440-BA8-0000	STAY COMP., FR.WINKER	2	N		20070425		KMYBA8BLS7C000001	
		5	33445-BA8-0000	INNER STAY A, WINKER	2	N		20070425		KMYBA8BLS7C000001	
		6	33451-BA8-0000	BASE, LH.FR.WINKER	1	N	N	20070425	20071021	KMYBA8BLS7C000001	KMYBA8BLS8C002275
		6-1	33451-BA8-RZ00	BASE, LH.FR.WINKER	1	N		20071022		KMYBA8BLS8C002276	
		7	33452-BA8-0000	LENS, LH.FR.WINKER	1	N		20070425	20071021	KMYBA8BLS7C000001	KMYBA8BLS8C002275
		8	33453-BA8-0000	REFLECTOR, LH.WINKER	1	N		20070425	20071021	KMYBA8BLS7C000001	KMYBA8BLS8C002275
		9	33600-BA8-0000	WINKER ASS'Y, RH.RR.	1	Y	N	20070425	20071021	KMYBA8BLS7C000001	KMYBA8BLS8C002275
		9-1	33600-BA8-RZ00	WINKER ASS'Y, RH.RR.	1	Y		20071022		KMYBA8BLS8C002276	
		10	33610-BA8-0000	SOCKET COMP., RH.WINKER	1	N		20070425		KMYBA8BLS7C000001	
		11	33650-BA8-0000	WINKER ASS'Y, LH.RR.	1	Y	N	20070425	20071021	KMYBA8BLS7C000001	KMYBA8BLS8C002275
		11-1	33650-BA8-RZ00	WINKER ASS'Y, LH.RR.	1	Y		20071021		KMYBA8BLS8C002276	
		12	33660-BA8-0000	SOCKET COMP., LH.WINKER	1	N		20070425		KMYBA8BLS7C000001	
		13	34905-BA7-RB00	BULB, WINKER(12V 10W)	2	Y	N	20070425	20071021	KMYBA8BLS7C000001	KMYBA8BLS8C002275
			34905-SA2-RB00	BULB, WINKER(12V 10W)	2	Y		20071022		KMYBA8BLS8C002276	
		14	90505-BA6-6700	WASHER, 13x20	2	Y		20070425		KMYBA8BLS7C000001	
		15	S3903-24210	SCREW, TAPPING, 4x10	2	N	N	20070425	20070514	KMYBA8BLS7C000001	KMYBA8BLS7C000357

# F-29

## REAR WINKER



Service item	FRT	Ref No.	Part No.	Description	QTY	A/S	Exch	Start Date	End Date	Start FRM.No	End FRM.No
			90111-BA1-MA00	SCREW, SPECIAL, M4x10	2	N		20070515		KMYBA8BLS7C000358	
		16	S4001-12200-0S	NUT, HEX, 12mm	2	Y		20070425		KMYBA8BLS7C000001	