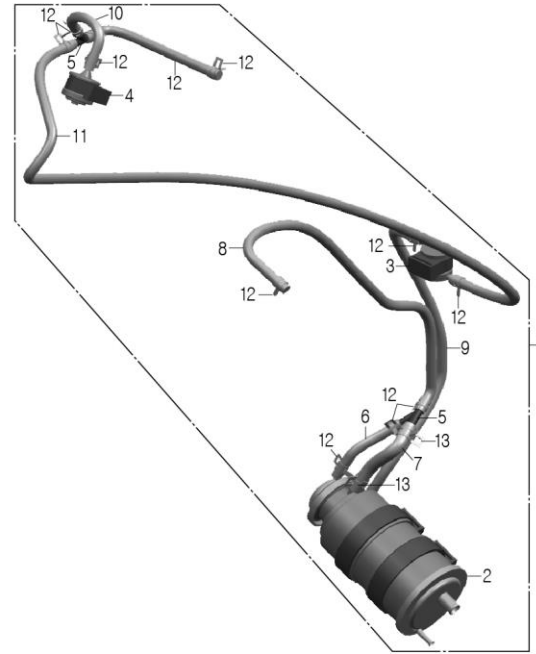


F-30

CANISTER



Service item	FRT	Ref No.	Part No.	Description	QTY	A/S	Exch	Start Date	End Date	Start FRM.No	End FRM.No
		1	1740A-BZ2-R400-M1	CANISTER ASS'Y, CARBON	1	Y		20170109		KMYBZ2BGAHC000001	
		2	17420-BZ2-PA00	CARBON CANISTER	1	Y		20170109		KMYBZ2BGAHC000001	
		3	17430-SAC-PA00	VALVE, ROLL OVER	1	Y		20170109		KMYBZ2BGAHC000001	
		4	17440-SAC-PA00	VALVE, BREATHER	1	Y		20170109		KMYBZ2BGAHC000001	
		5	17450-SAC-PA00	CONNECTOR A, 3WAY TUBE	2	Y		20170109		KMYBZ2BGAHC000001	
		6	17481-BZ2-R400	TUBE, CANISTER, A 4x50	1	N		20170109		KMYBZ2BGAHC000001	
		7	17482-BZ2-R400	TUBE, CANISTER, B 6x50	1	N		20170109		KMYBZ2BGAHC000001	
		8	17483-BZ2-R400	TUBE, CANISTER, C 4x460	1	N		20170109		KMYBZ2BGAHC000001	
		9	17485-BZ2-R400	TUBE, ROLL OVER VALVE, 4x291	1	N		20170109		KMYBZ2BGAHC000001	
		10	17486-BZ2-R400	TUBE, BREATHER VALVE, 4x99	1	N		20170109		KMYBZ2BGAHC000001	
		11	17487-BZ2-R400	TUBE, CANISTER, D 4x875	3	N		20170109		KMYBZ2BGAHC000001	
		12	17684-BZ2-R400	TUBE, FUEL, 4x117	1	N		20170109		KMYBZ2BGAHC000001	
		13	S5002-40800-04	CLAMP D8.0, TUBE	12	Y		20170109		KMYBZ2BGAHC000001	
		14	S5002-41000-04	CLAMP D10, TUBE	2	Y		20170109		KMYBZ2BGAHC000001	